

INSTALLATION MANUAL

67418

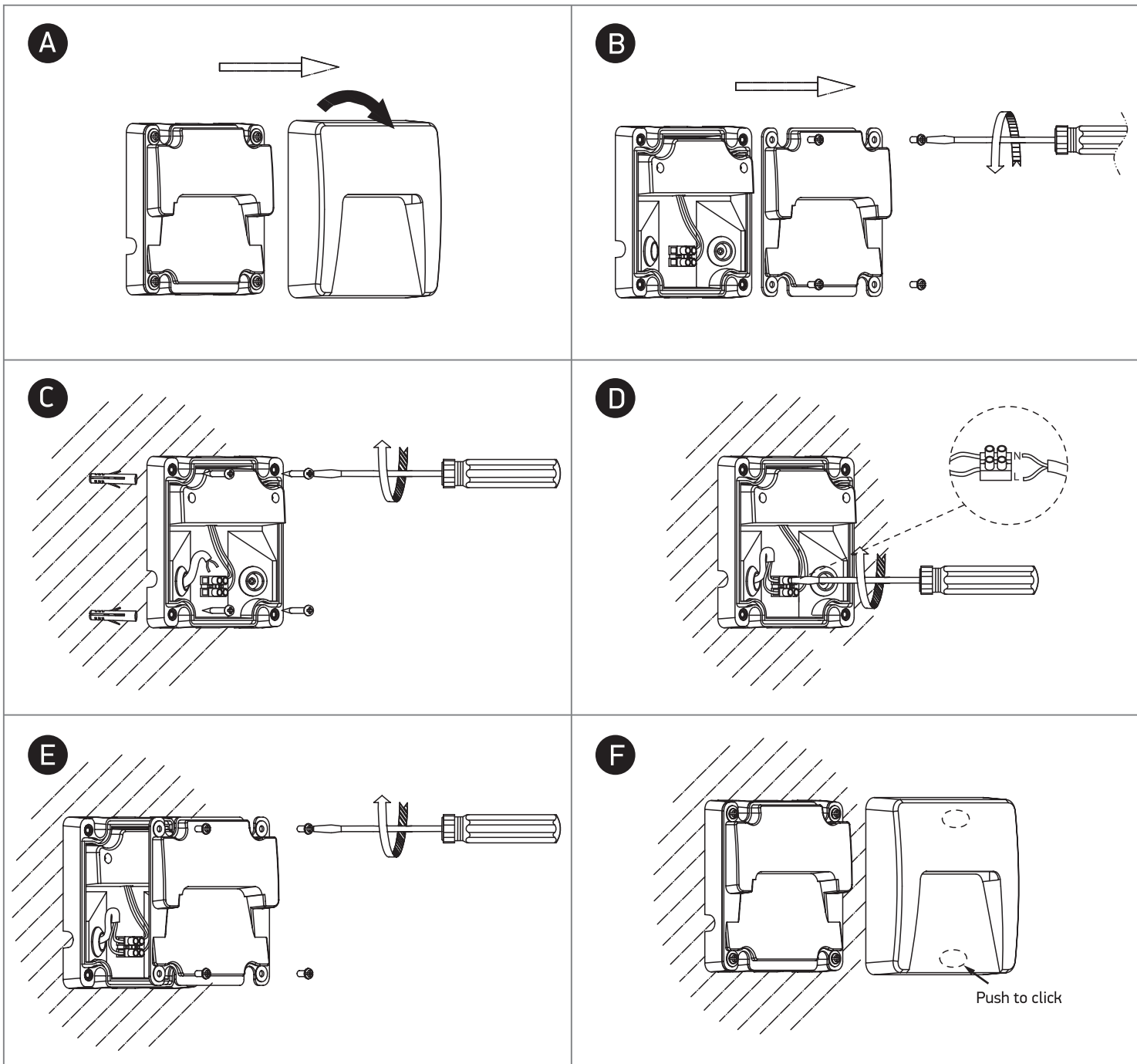
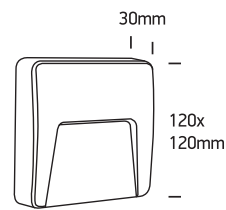
ecolight



← DARK LIGHT

80 CRI

230V | SMD 2835 | 3W | IP65 | ABS + PC
AC LED



Warnings:

1. Make sure that the product is installed properly before connecting to electricity.
2. Do not cover the fitting.
3. Maintenance and installation should only be carried out by a professional electrician.