

INSTALLATION MANUAL

67470

LED
BUILT IN

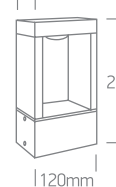


CE EAC UK CA

RoHS
COMPLIANT



80mm



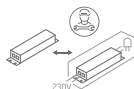
230mm

120mm

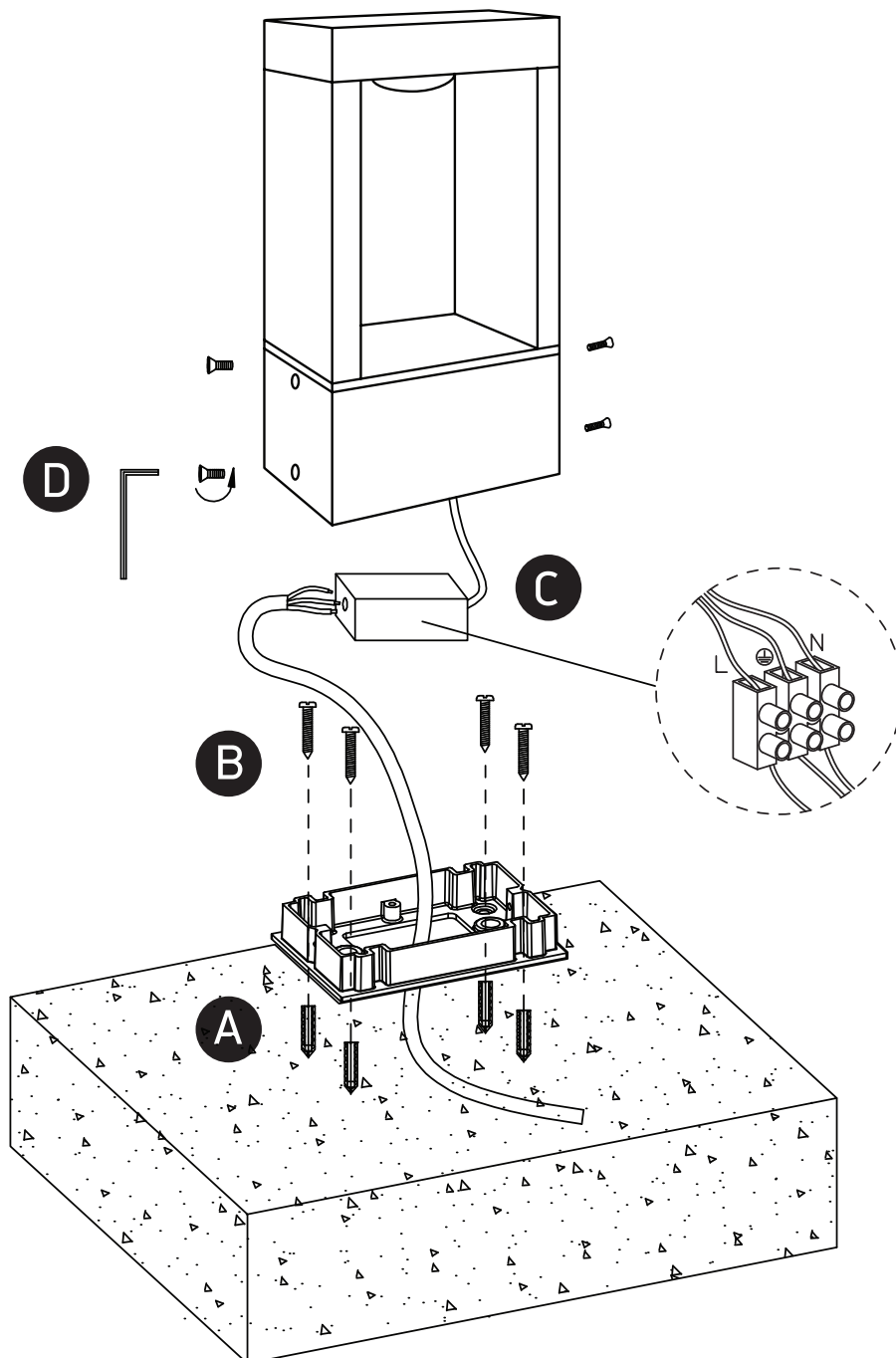
one
LIGHT

230V | LED | 10W | IP65 | Die cast

Complete with 250mA driver.



80
CRI



Warnings:

1. Make sure that the product is installed properly before connecting to electricity.
2. Do not cover the fitting.
3. Maintenance and installation should only be carried out by a professional electrician.