

# INSTALLATION MANUAL

67470A

LED  
BUILT IN



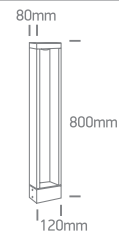
IK<sup>10</sup>

CE EAC UK CA

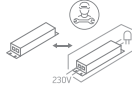
RoHS  
COMPLIANT



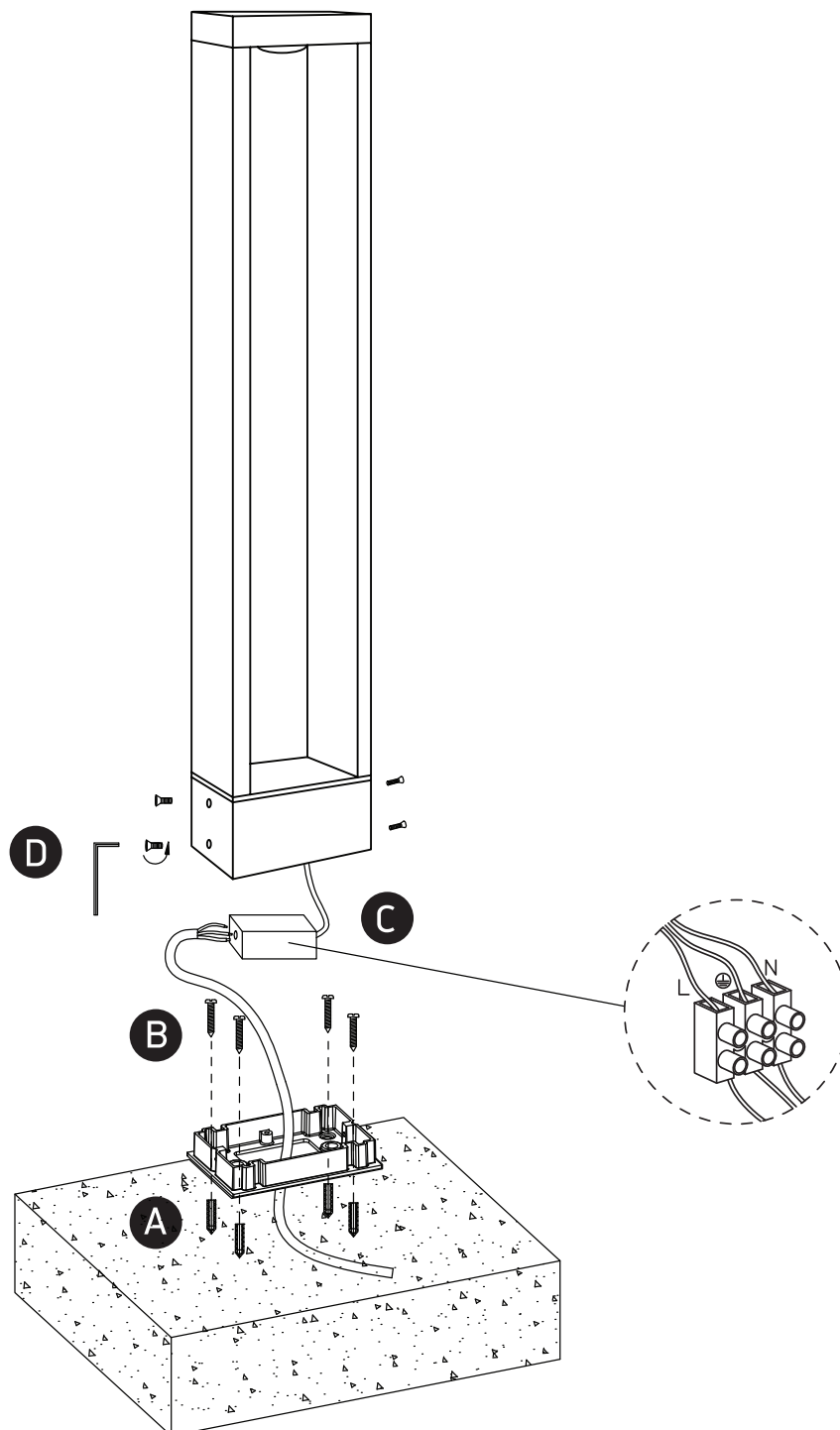
NOT  
DIMMABLE



230V | LED | 10W | IP65 | Die cast  
Complete with 250mA driver.



80  
CRI



## Warnings:

1. Make sure that the product is installed properly before connecting to electricity.
2. Do not cover the fitting.
3. Maintenance and installation should only be carried out by a professional electrician.