

INSTALLATION MANUAL

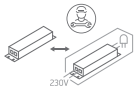
67526A2

LED
BUILT IN

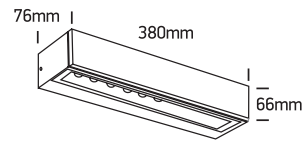


230V | SMD 3030 | 9W | IP65 | Die cast

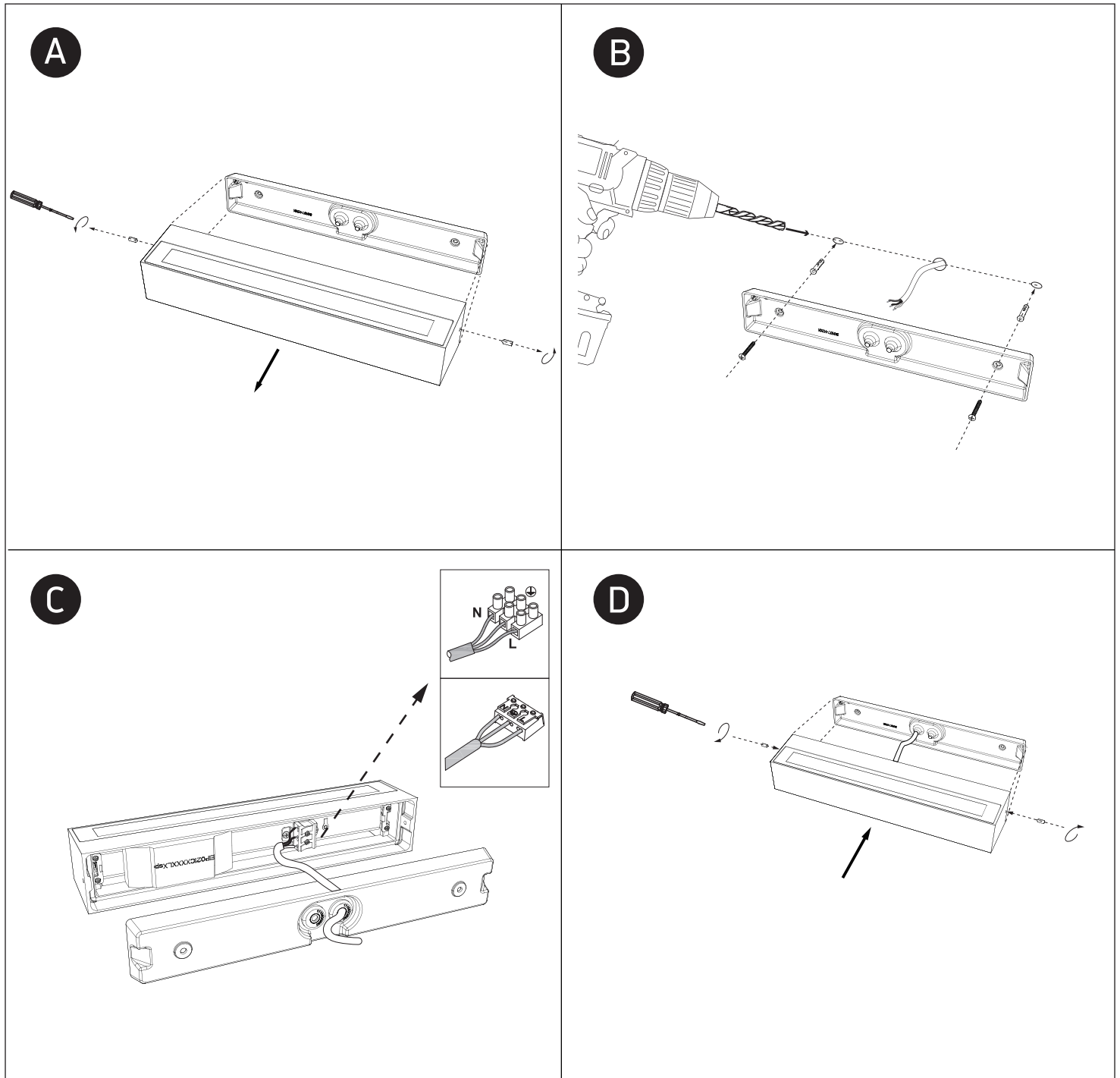
Complete with 500mA driver.



80
CRI



one
LIGHT



Warnings:

1. Make sure that the product is installed properly before connecting to electricity.
2. Do not cover the fitting.
3. Maintenance and installation should only be carried out by a professional electrician.