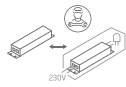


# INSTALLATION MANUAL

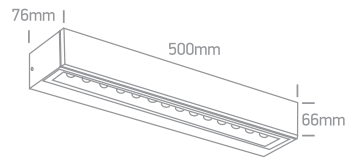
67526A3



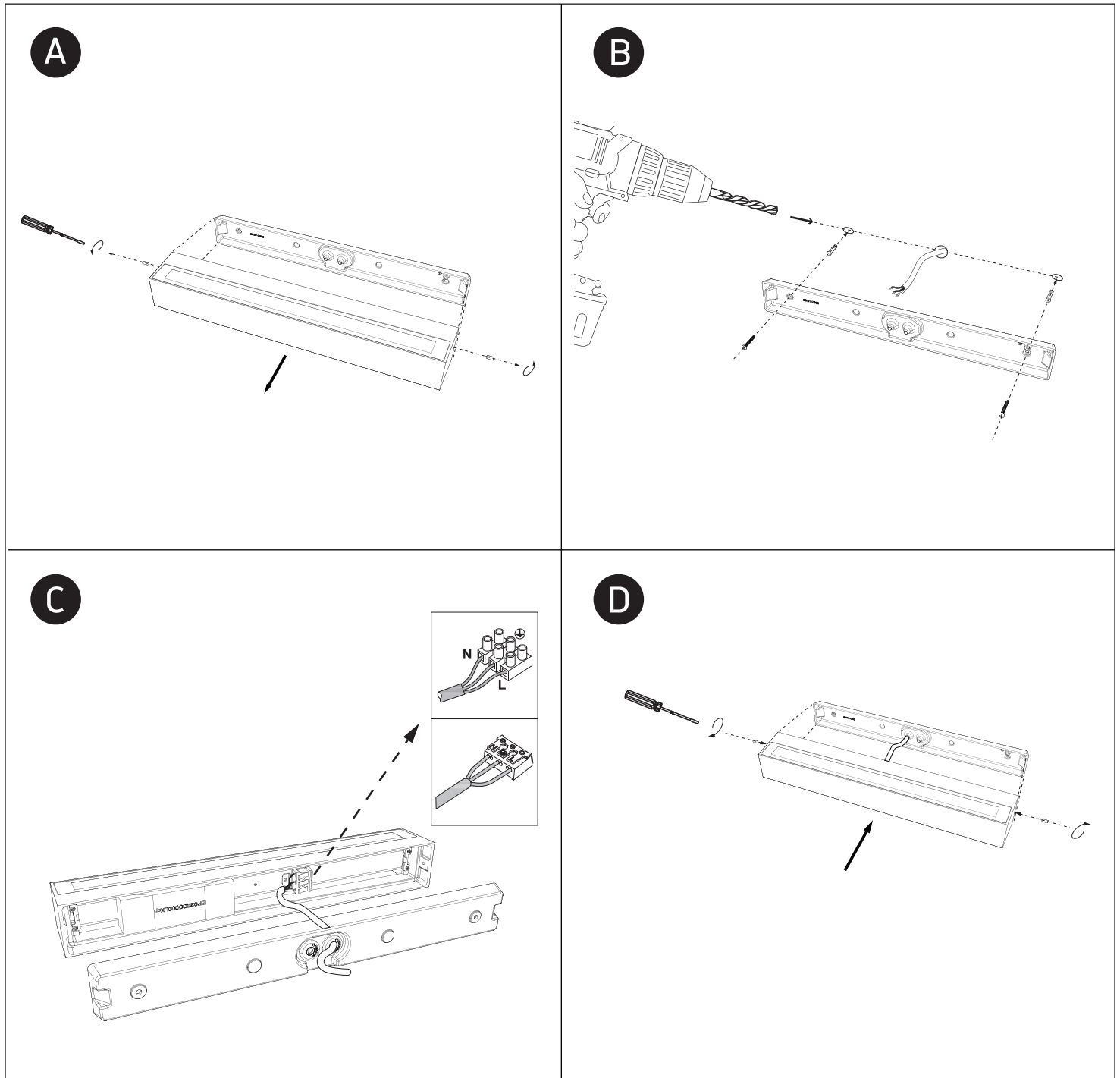
230V | SMD 3030 | 13W | IP65 | Die cast  
Complete with 700mA driver.



80 CRI



one  
LIGHT



## Warnings:

1. Make sure that the product is installed properly before connecting to electricity.
2. Do not cover the fitting.
3. Maintenance and installation should only be carried out by a professional electrician.