

INSTALLATION MANUAL

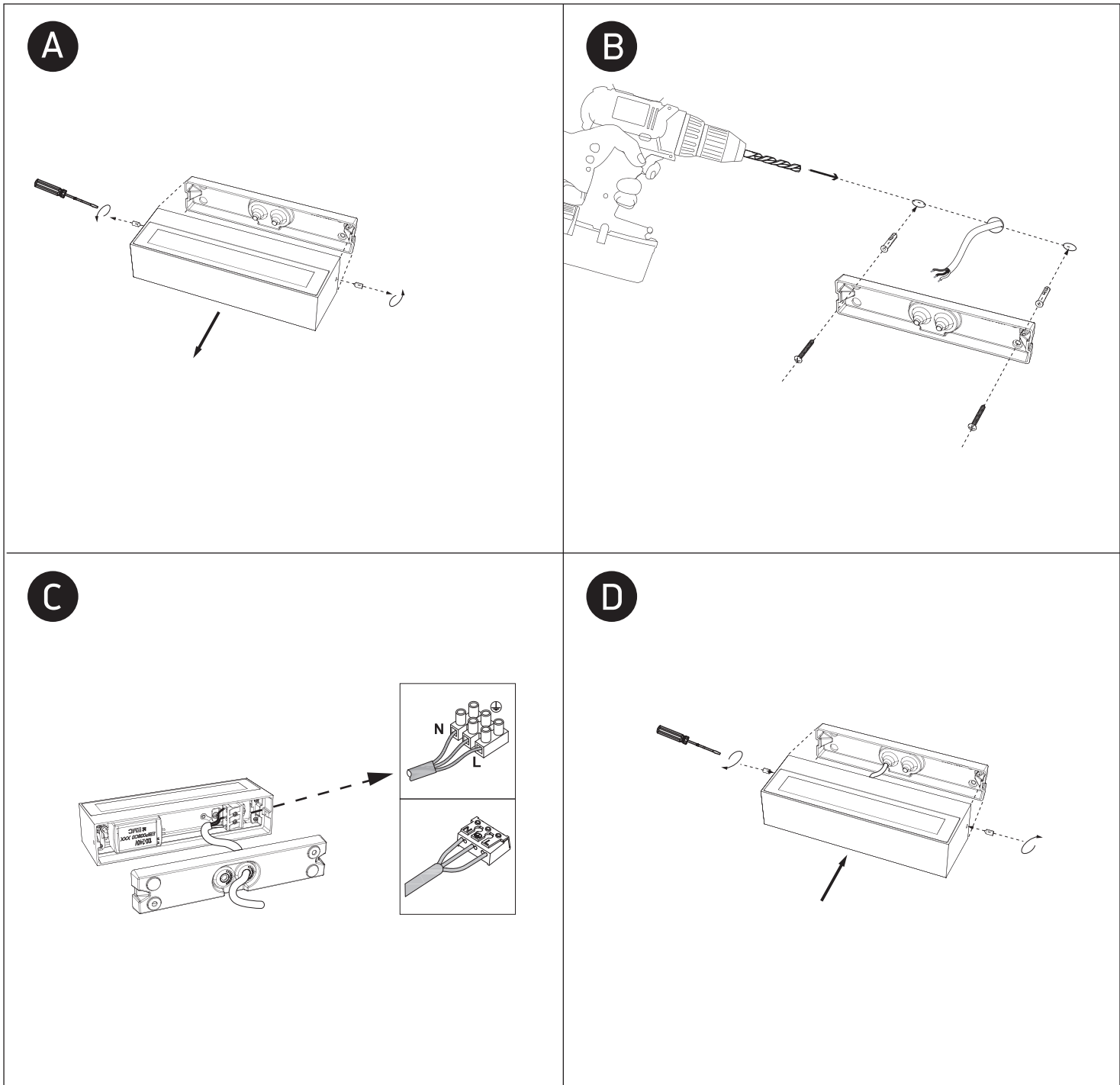
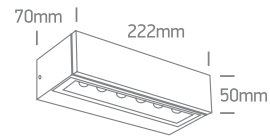
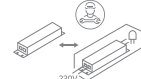
67526B1

LED
BUILT IN



230V | SMD LED | 2x6W | IP65 | Aluminium
Complete with 300mA driver.

80
CRI



Warnings:

1. Make sure that the product is installed properly before connecting to electricity.
2. Do not cover the fitting.
3. Maintenance and installation should only be carried out by a professional electrician.