

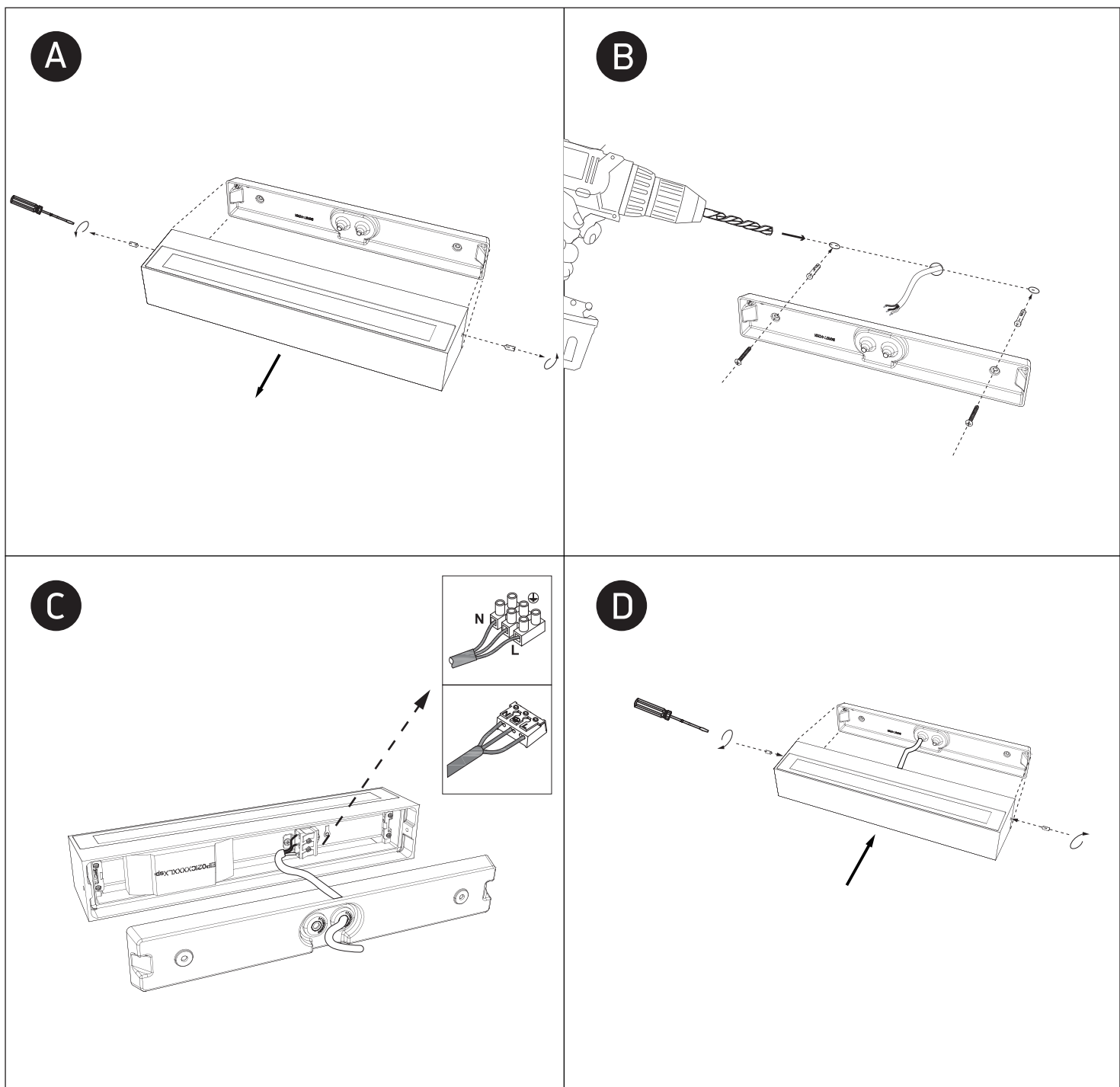
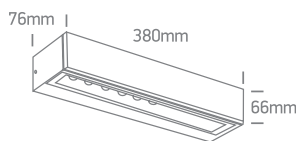
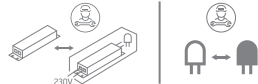
INSTALLATION MANUAL

67526B2



230V | SMD | 2x10W | IP65 | Aluminium
Complete with 500mA driver.

80 CRI



Warnings:

1. Make sure that the product is installed properly before connecting to electricity.
2. Do not cover the fitting.
3. Maintenance and installation should only be carried out by a professional electrician.