

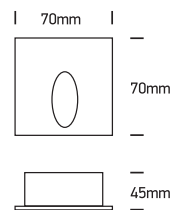
INSTALLATION MANUAL

68032

ecolight



DARK LIGHT

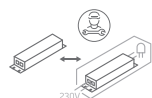


100-240V | 3W | IP54 | Die cast | Recessed

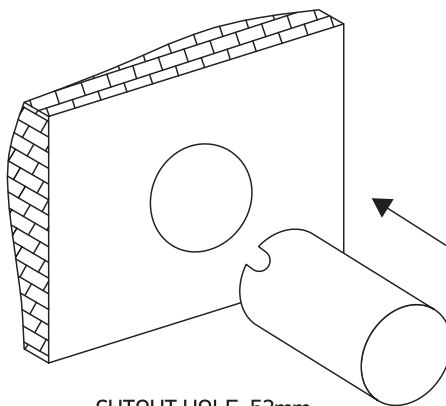
Complete with driver.
Supplied with box for
concrete installation.



Concrete installation Gypsum installation

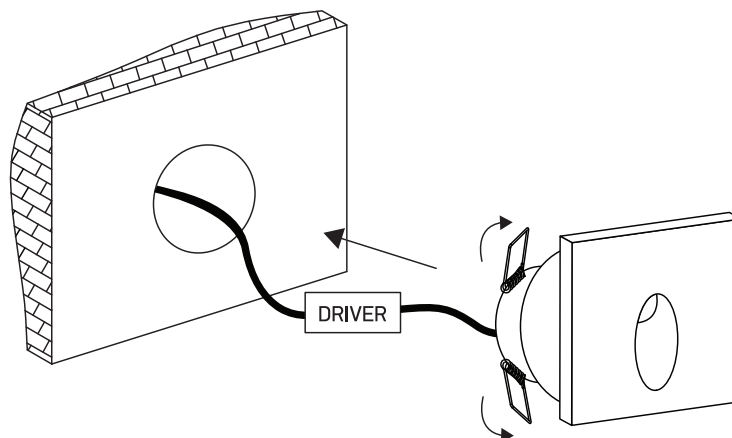


A

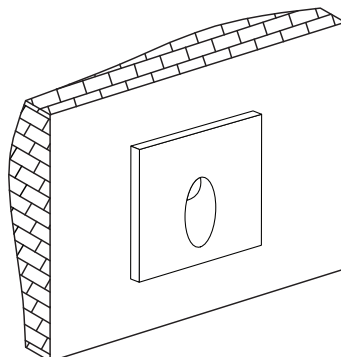


CUTOUT HOLE: 52mm

B



C



Warnings:

1. Make sure that the product is installed properly before connecting to electricity.
2. Do not cover the fitting.
3. Maintenance and installation should only be carried out by a professional electrician.