

# INSTALLATION MANUAL

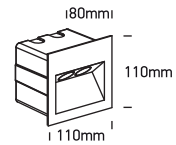
68046, 68048, 68050

**ecolight**

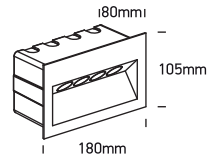


Complete with LED driver  
Supplied with box for concrete installation

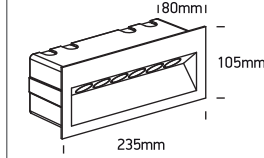
**68046:** 100-240V | 2x1W | IP65 | Die cast | Recessed



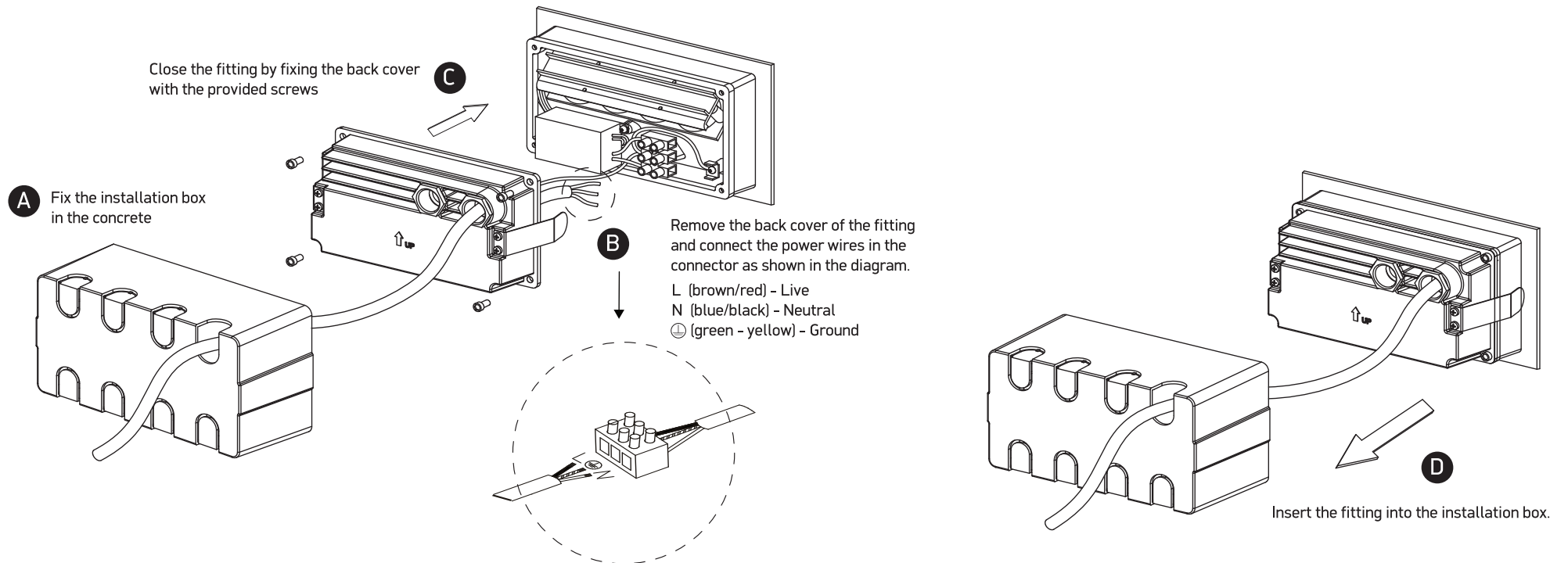
**68048:** 100-240V | 4x1W | IP65 | Die cast | Recessed



**68050:** 100-240V | 6x1W | IP65 | Die cast | Recessed



**one**  
LIGHT



## Warnings:

1. Make sure that the product is installed properly before connecting to electricity.
2. Do not cover the fitting.
3. Maintenance and installation should only be carried out by a professional electrician.