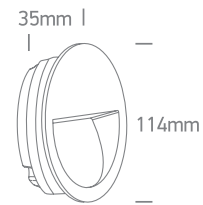


INSTALLATION MANUAL

68068/./V

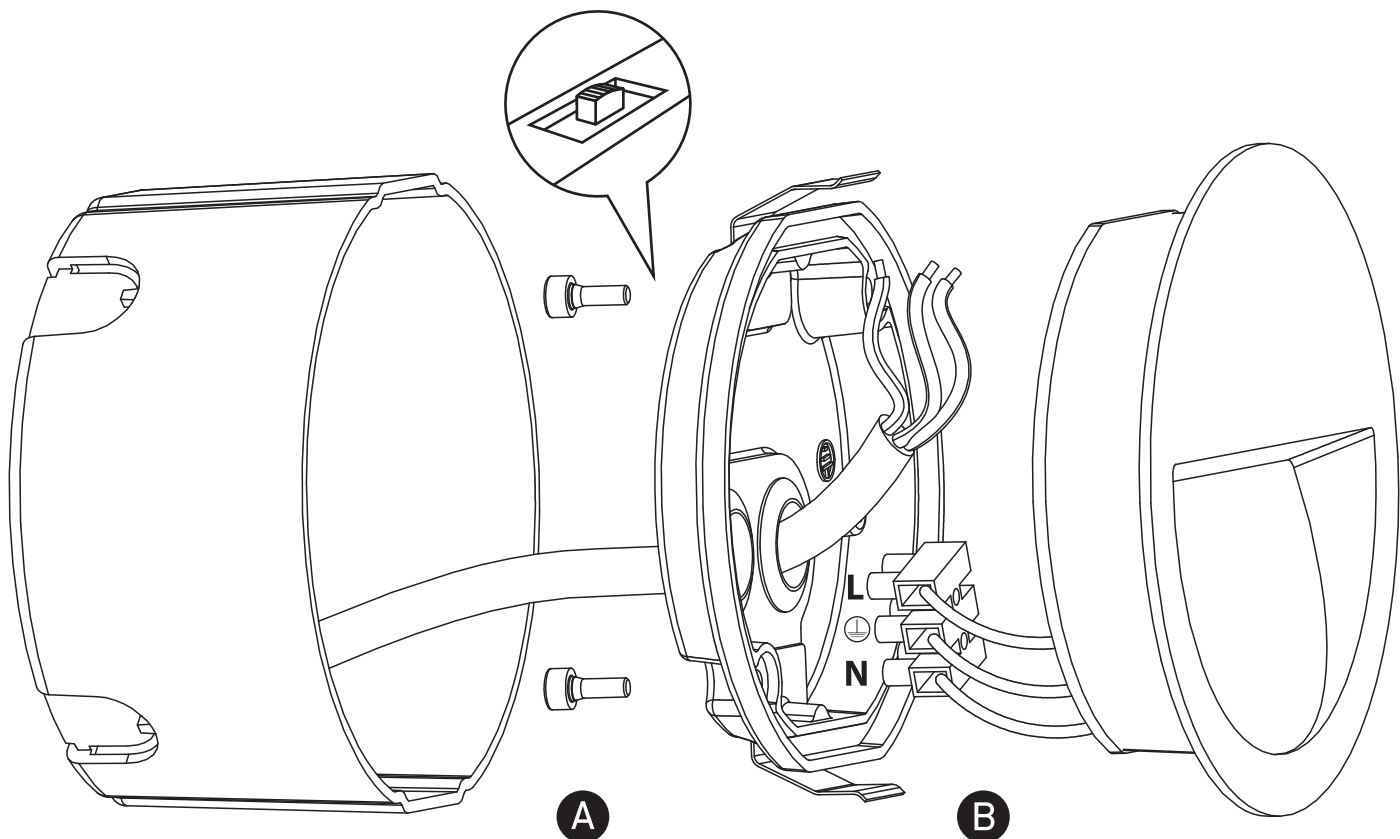


230V | SMD | CCT V | 3W | IP65 | Aluminium
Complete with 350mA driver.
Supplied with box for concrete installation.



CCT VARIABLE SWITCH

Short press to change CCT.
Long press to lock / unlock CCT.



Warnings:

1. Make sure that the product is installed properly before connecting to electricity.
2. Do not cover the fitting.
3. Maintenance and installation should only be carried out by a professional electrician.