

# INSTALLATION MANUAL

68068B/./V

LED  
BUILT IN



IK<sup>06</sup>

DARK  
LIGHT



80  
CRI

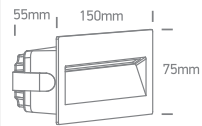


EAC

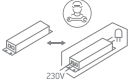
UK  
CA



RoHS  
COMPLIANT



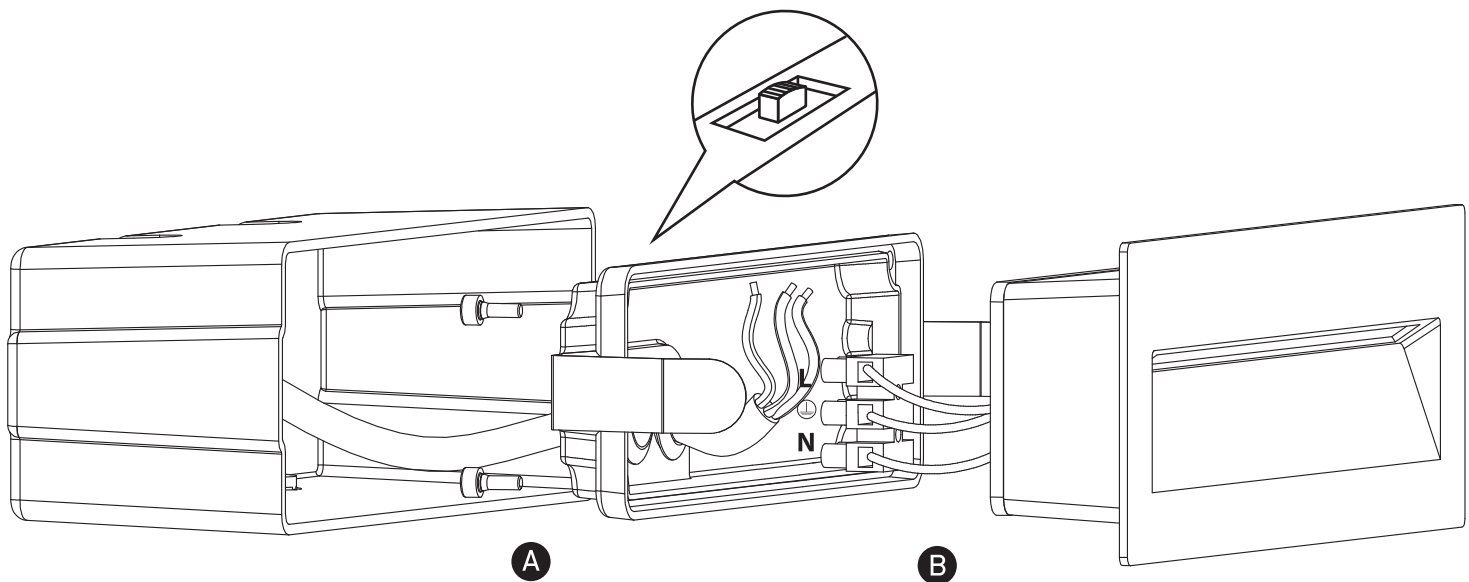
230V | SMD | CCT V | 6W | IP65 | Aluminium  
Complete with 300mA driver.  
Supplied with box for concrete installation.



one  
LIGHT

## CCT VARIABLE SWITCH

Short press to change CCT.  
Long press to lock / unlock CCT.



## Warnings:

1. Make sure that the product is installed properly before connecting to electricity.
2. Do not cover the fitting.
3. Maintenance and installation should only be carried out by a professional electrician.