

# INSTALLATION MANUAL

69002A

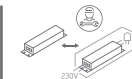
ecoinground



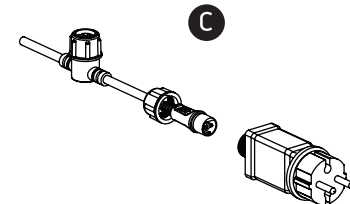
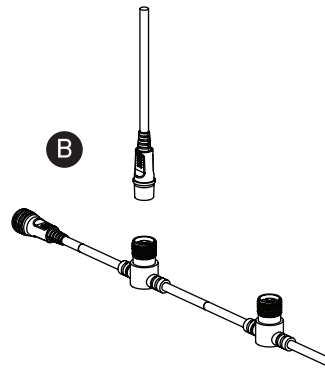
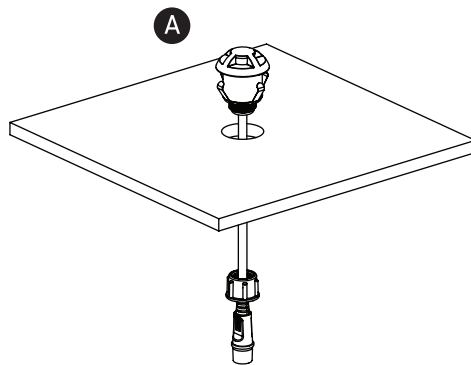
35mm

230V | SMD 2835 | 6x0,5W | IP67 | Stainless steel 316

Quick fix connectors & EU plug in driver.



40mm



## Warnings:

1. Make sure that the product is installed properly before connecting to electricity.
2. Do not cover the fitting.
3. Maintenance and installation should only be carried out by a professional electrician.