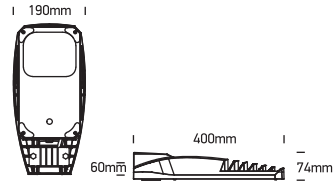


INSTALLATION MANUAL

70114

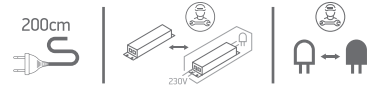


80 CRI

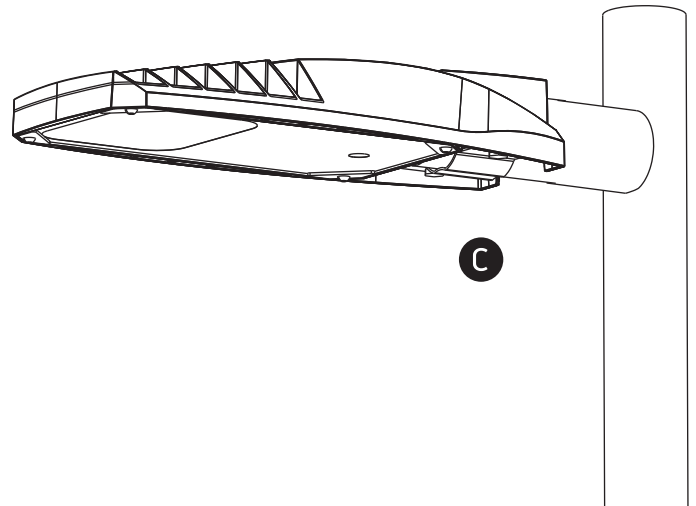
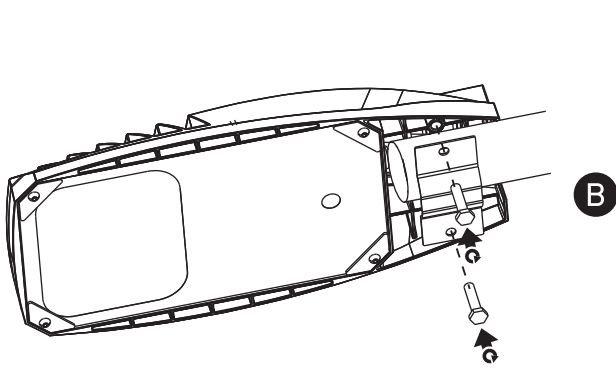
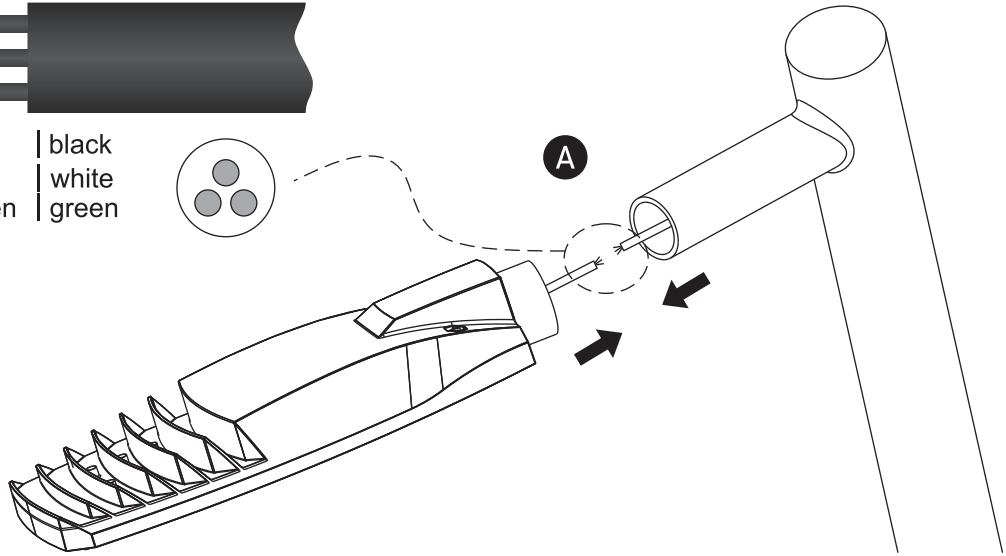
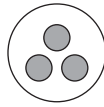


one
LIGHT

100-240V | 64xSMD 2835 | 50W | IP66 | Plastic
Complete with 950mA driver.



| | | |
|---|--------------|-------|
| L | brown | black |
| N | blue | white |
| ⊕ | yellow/green | green |



Side up when installing



Warnings:

1. Make sure that the product is installed properly before connecting to electricity.
2. Do not cover the fitting.
3. Maintenance and installation should only be carried out by a professional electrician.