

# INSTALLATION MANUAL

7028CA, 7028CB, 7028CC, 7028CD, 7028CE, 7028CF

ecofloodlight



ADJUSTABLE

80  
CRI

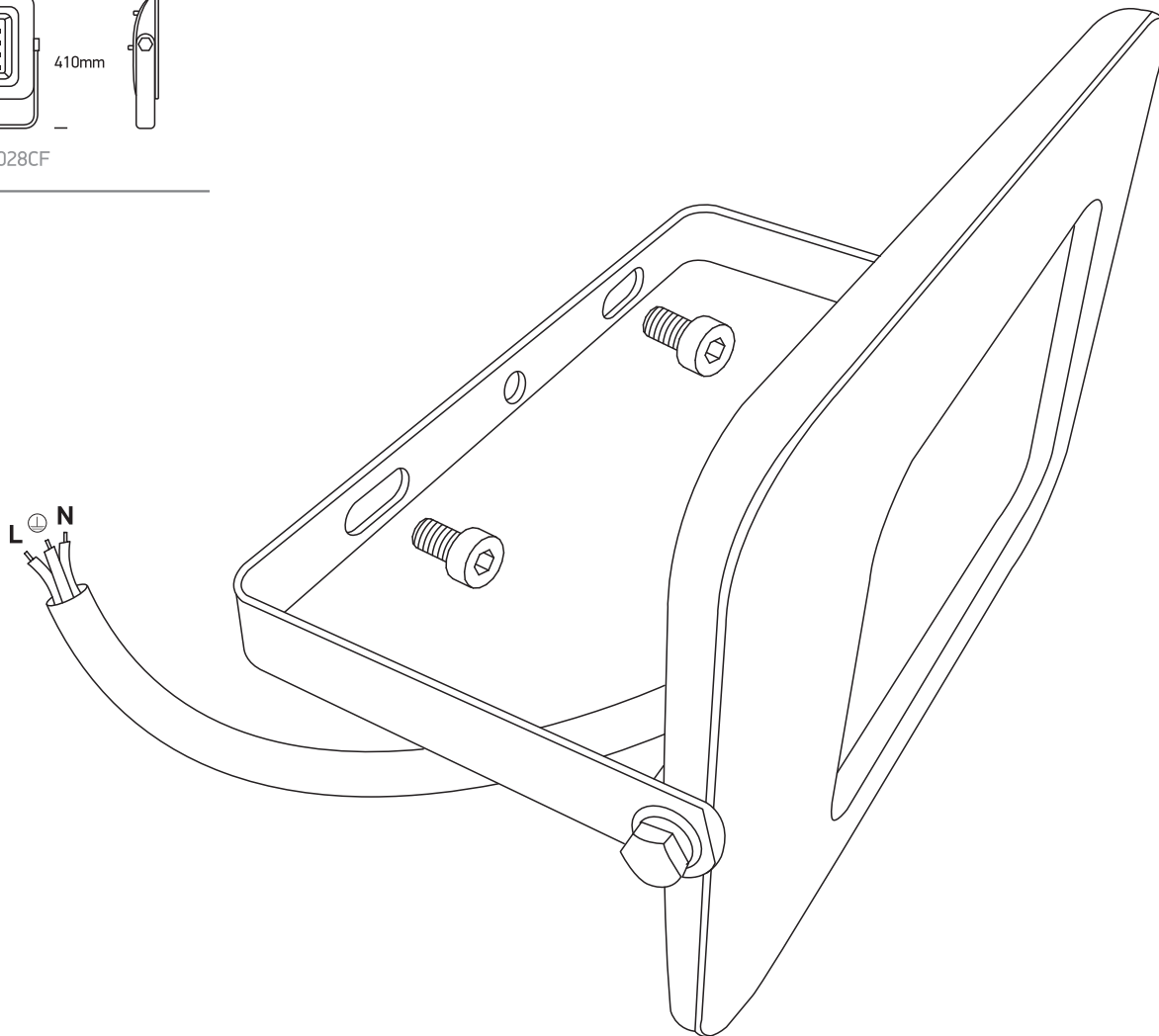
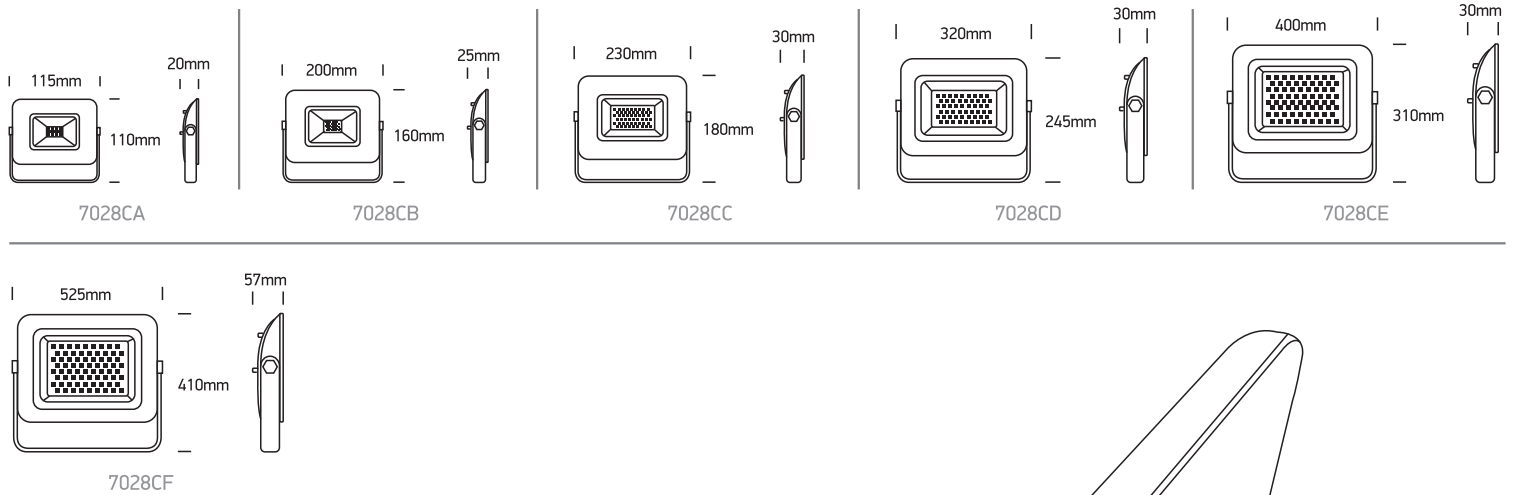


230V | SMD 2835 | 10W / 30W / 50W / 100W / 150W / 250W | IP65 | Die cast + tempered glass | Adjustable  
AC LED.



30cm

one  
LIGHT



## Warnings:

1. Make sure that the product is installed properly before connecting to electricity.
2. Do not cover the fitting.
3. Maintenance and installation should only be carried out by a professional electrician.