

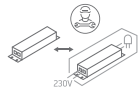
INSTALLATION MANUAL

7070

ecolight

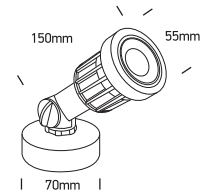


100-240V | 5W | IP65 | Plastic | Adjustable
Complete with driver. Supplied with spike + base.



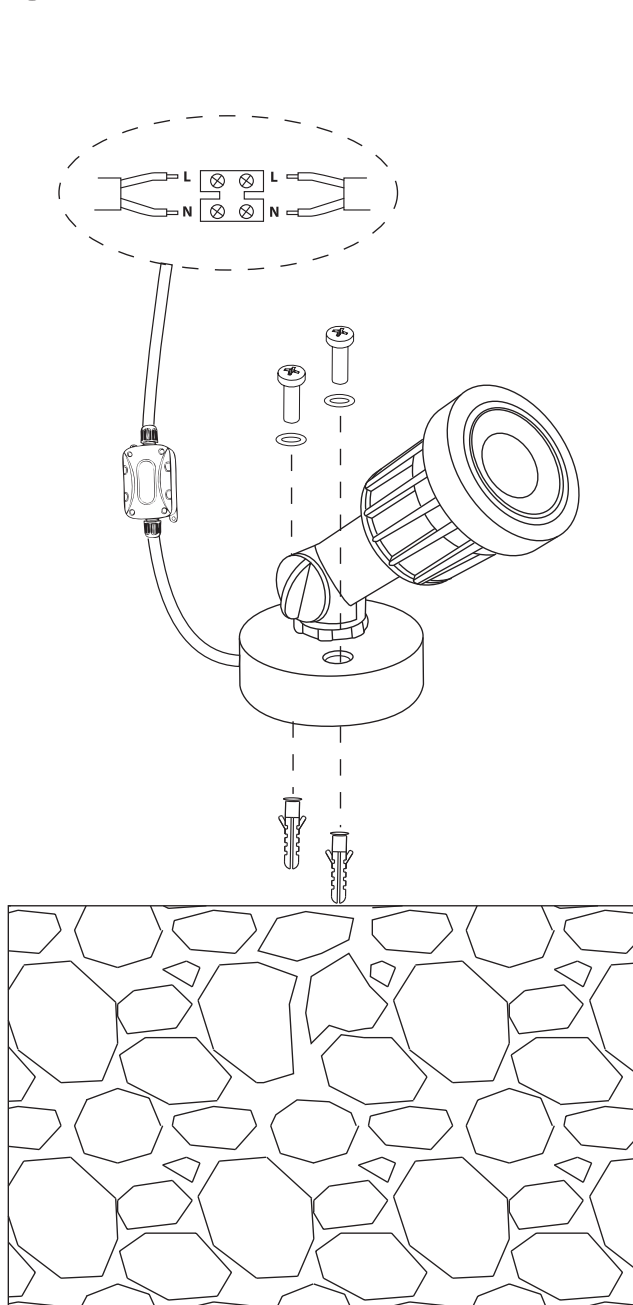
80 CRI

200cm

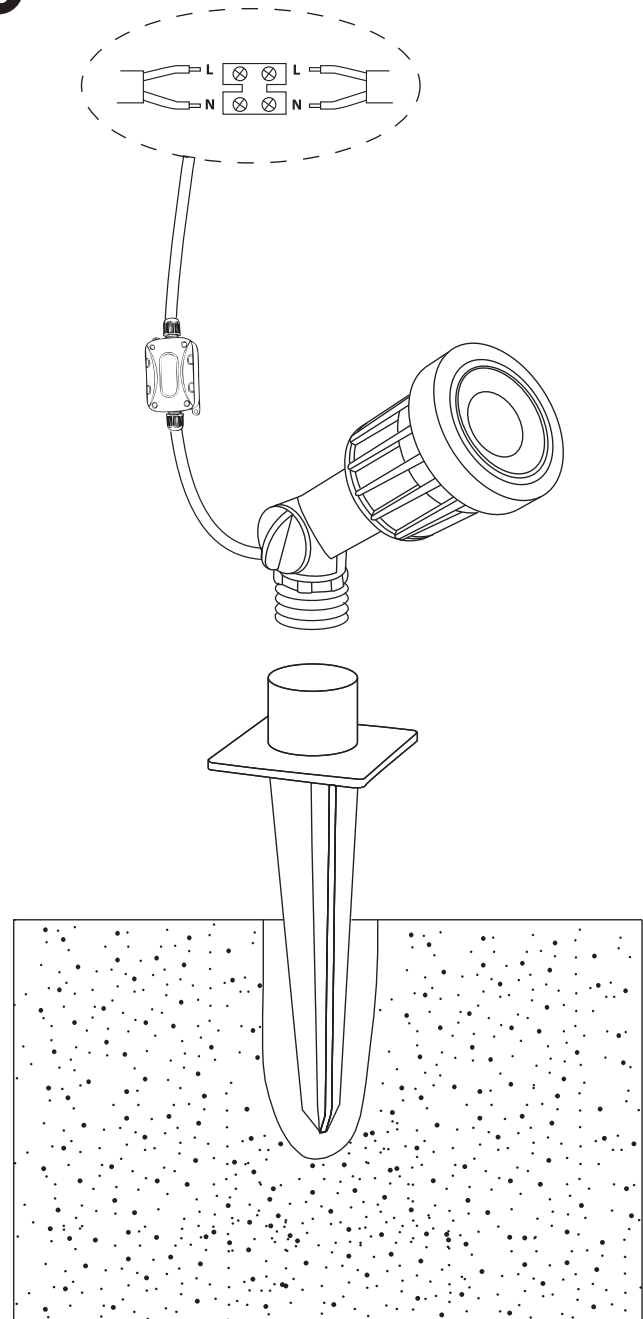


one
LIGHT

A



B



Warnings:

1. Make sure that the product is installed properly before connecting to electricity.
2. Do not cover the fitting.
3. Maintenance and installation should only be carried out by a professional electrician.