

INSTALLATION MANUAL

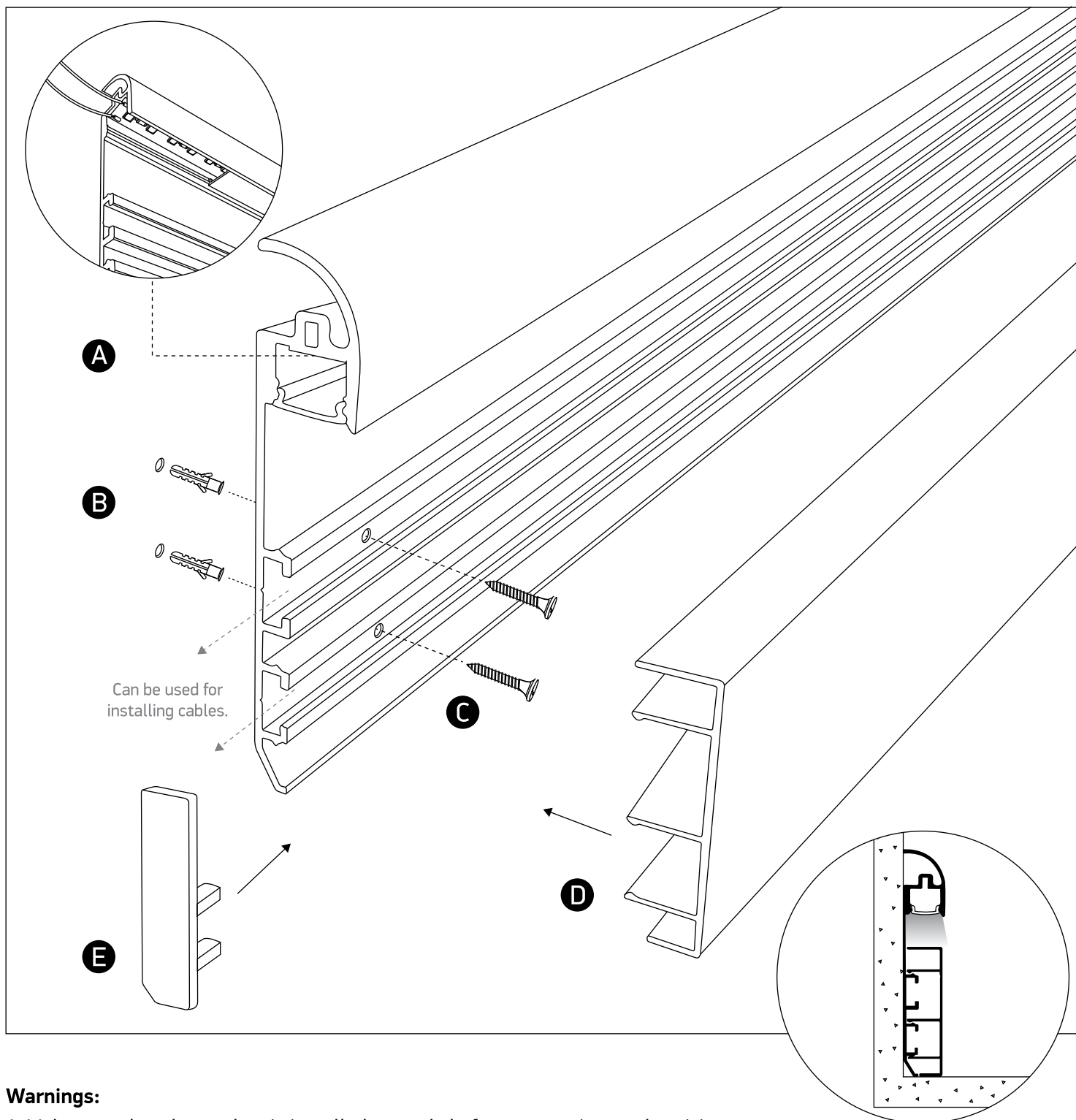
7922

2m Wall Aluminium skirting profile with PC opal diffuser



one
LIGHT

1. Remove plastic opal diffuser and aluminium cover before installation.
2. Install the suitable LED strip in the profile. Then put back the opal diffuser by pushing it.
3. Install skirting profile on the wall by using screws. We recommend 2 screws every 1m.
4. Add the aluminium cover on the skirting board profile by pushing it.
5. Install end cups at the end.



Warnings:

1. Make sure that the product is installed properly before connecting to electricity.
2. Do not cover the fitting.
3. Maintenance and installation should only be carried out by a professional electrician.