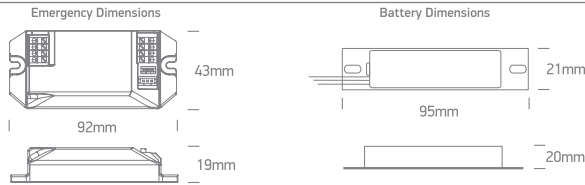
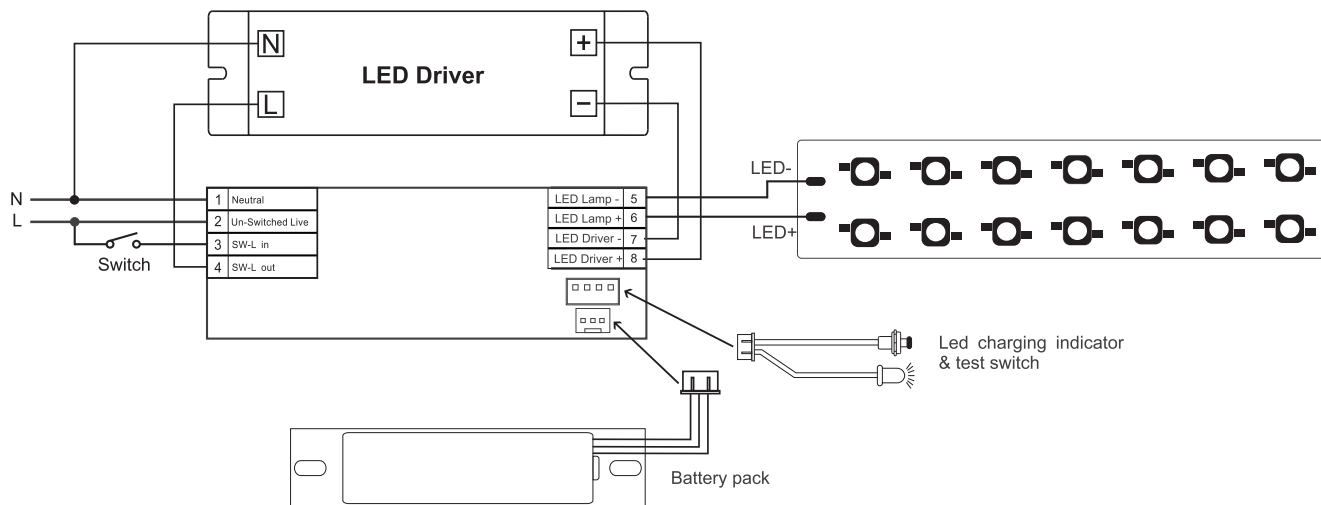


# INSTALLATION MANUAL

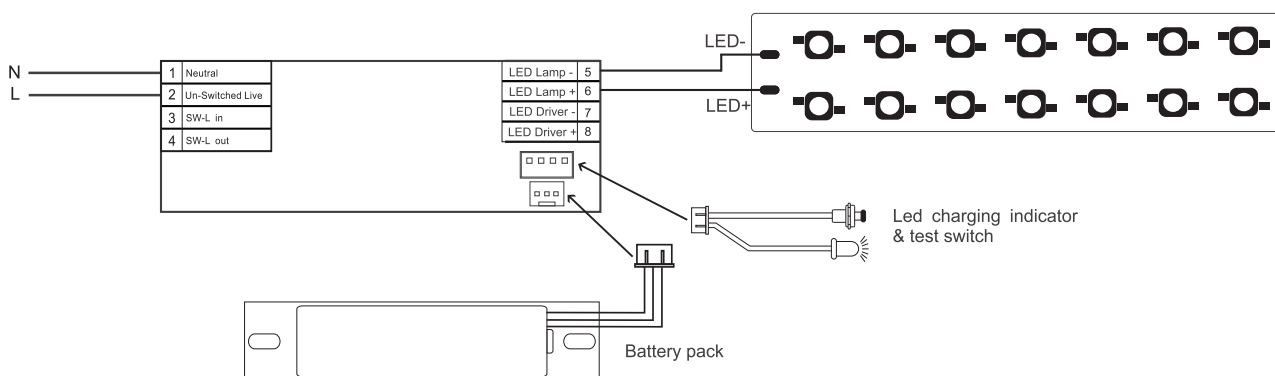
89001/EME



## A MAINTAINED MODE



## B NON-MAINTAINED MODE



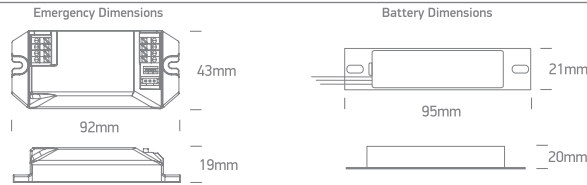
\* This kit will only operate with LED Fittings/Strips 1-30W suitable for 9-45V DC power supply.

### Warnings:

1. Make sure that the product is installed properly before connecting to electricity.
2. Do not cover the fitting.
3. Maintenance and installation should only be carried out by a professional electrician.

# INSTALLATION MANUAL

89001/EME



## Explanation of LED indicator

	Color	LED indicator	Status	Comment
	Green	Slow flashing green (3 sec on, 1 sec off)	Charging Mode	AC mode
	Green	Permanent green	Fully Charged	AC mode
	Green	Fast flashing green (0.1 sec on, 0.1 sec off)	Function test underway	
	Green	Slow flashing green (1 sec on, 1 sec off)	Duration test underway	
	Red	Permanent red	Load failure	Open circuit / Short circuit / LED failure
	Red	Slow flashing red (1 sec on, 1 sec off)	Battery failure	Battery failed the duration test or function test / No battery
		Green and red off	DC mode	Battery operation (emergency mode)

### Self-test

The emergency kits carry out self-tests automatically to ensure its functionality.

The self-test includes 3 types of tests:

### Initial test

As soon as mains supply is connected, the emergency kit will carry out a 3-seconds functional test automatically. In case of a failure, the LED will turn permanently red. Otherwise, the charge mode will start.

### Functional Test

Functional tests are carried out for 10 seconds automatically every 30 calendar days.

### Duration Test

Emergency conversion module will automatically make a full duration test every 180 calendar days to check the capacity of the battery.

### Timer reset

The timer for function and duration test can be set to a particular time of the day by cycling the un-switched line supply 3 times within 1 minute.

### Note

If mains supply is off during the self-test period, emergency conversion module will terminate the self-test immediately and go into emergency mode.