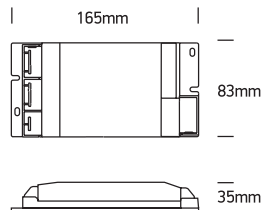


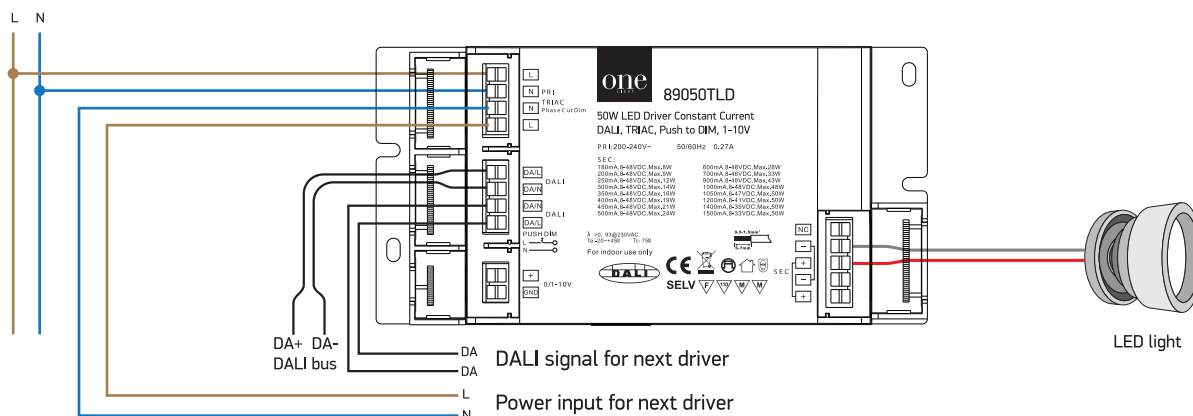
INSTALLATION MANUAL

89050TLD

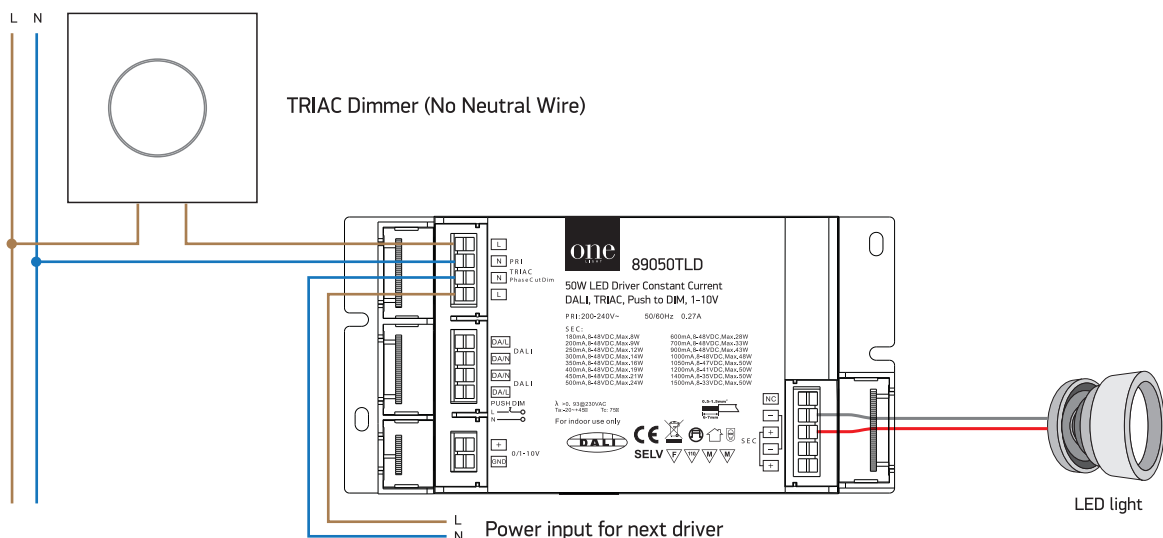


230V | 50/60Hz | IP20 | 50W | Adjustable Output
 DALI, TRIAC, Push to DIM, 1-10V / Adjustable output using DIP switches.

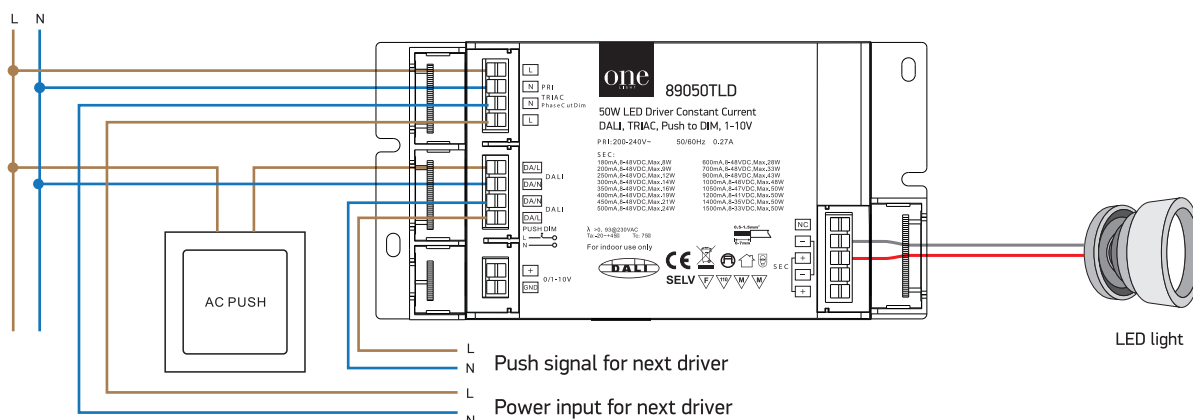
DALI Dimming wiring diagram



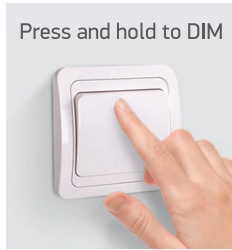
TRIAC Dimming wiring diagram



Push to DIM wiring diagram



Push to DIM wiring diagram

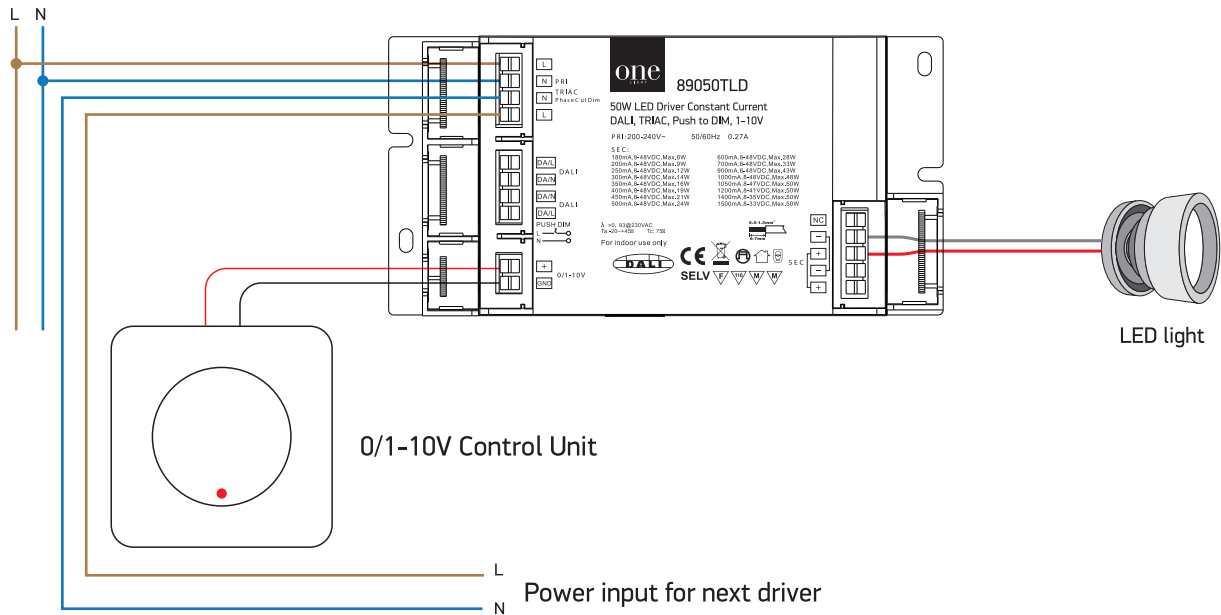


- **ON/OFF:** short push.
- **Dimming:** press and hold.
- **Dimming up or down:** every time you press and hold, dimming changes direction.
- **Built-in memory:** light returns to the previous dimming level when is switched OFF and ON again, even after power failure.

Synchronization

Up to 64pcs LED drivers can be connected to the same push button. This means there is no need for any additional sync cables in large installations, where many drivers should be controlled by one push button. If more than one driver is connected to the same push button, in order to achieve synchronization, the following action is required: **Switch off the light. Press and hold for more than 15 seconds.**

1-10V Dimming wiring diagram



Specifications

Input Voltage & Frequency	220-240V AC 50/60Hz															
Power Factor	≥0.90															
Operating Temperature	Ta: -20°C ~ +45°C Tc: +75°C															
Output Current	180mA	200mA	250mA	300mA	350mA	400mA	450mA	500mA	600mA	700mA	900mA	1000mA	1050mA	1200mA	1400mA	1500mA
Output Voltage	8-48V	8-48V	8-48V	8-48V	8-48V	8-48V	8-48V	8-48V	8-48V	8-48V	8-48V	8-48V	8-47V	8-41V	8-35V	8-33V
Output Power (Max.)	8W	9W	12W	14W	16W	19W	21W	24W	28W	33W	43W	48W	50W	50W	50W	50W

LED Current Selection

180mA	●	●	●	●	600mA	○	●	●	●
200mA	●	●	●	●	700mA	○	●	●	○
250mA	●	●	○	○	900mA	○	●	●	○
300mA	●	●	○	○	1000mA	○	●	○	○
350mA	●	○	●	●	1050mA	○	○	●	○
400mA	●	○	●	●	1200mA	○	○	●	○
450mA	●	○	○	●	1400mA	○	○	○	●
500mA	●	○	○	○	1500mA	○	○	○	○
	1	2	3	4		1	2	3	4

Operation Current Selection



The driver's output current can be selected by adjusting the DIP switches.

Warning: Before use, make sure the correct output current is set.

Warnings:

1. Make sure that the product is installed properly before connecting to electricity.
2. Do not cover the fitting.
3. Maintenance and installation should only be carried out by a professional electrician.