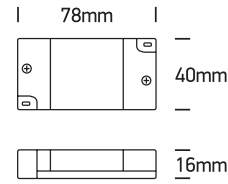


INSTALLATION MANUAL

89100L

LEDdimmer



75W@12V DC / 150W@24V DC | IP20

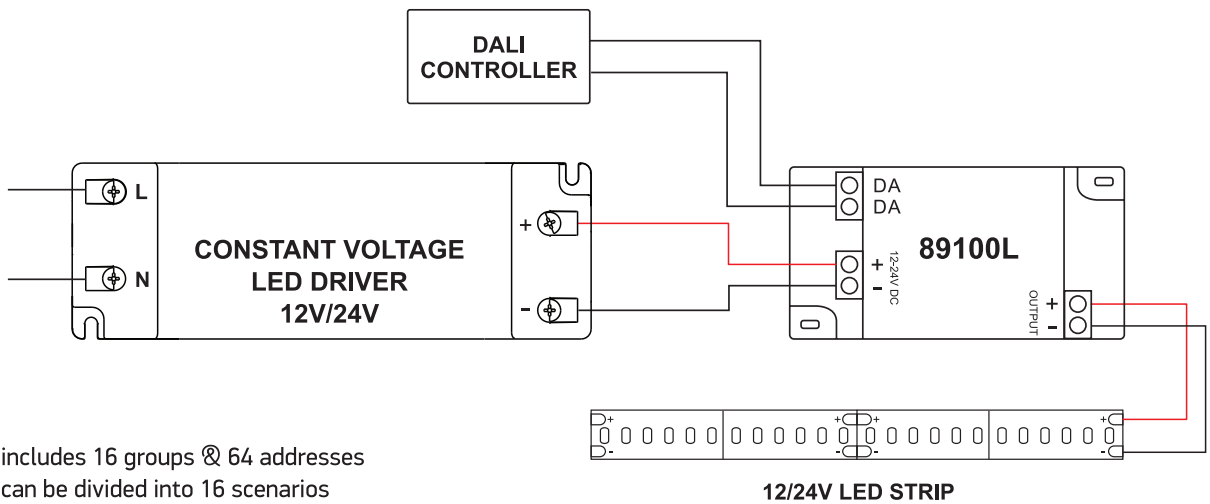
Specifications

Input Voltage: 12V DC / 24 VDC
Operating Temperature: Tc: 75°C
Ambient Temperature: Ta: 50°C
Output Voltage: 12V DC / 24V DC
Output Power (Max.): 75W@12V DC / 150W@24V DC

DALI / Push to DIM to PWM

- Dimming range 0,1-100%

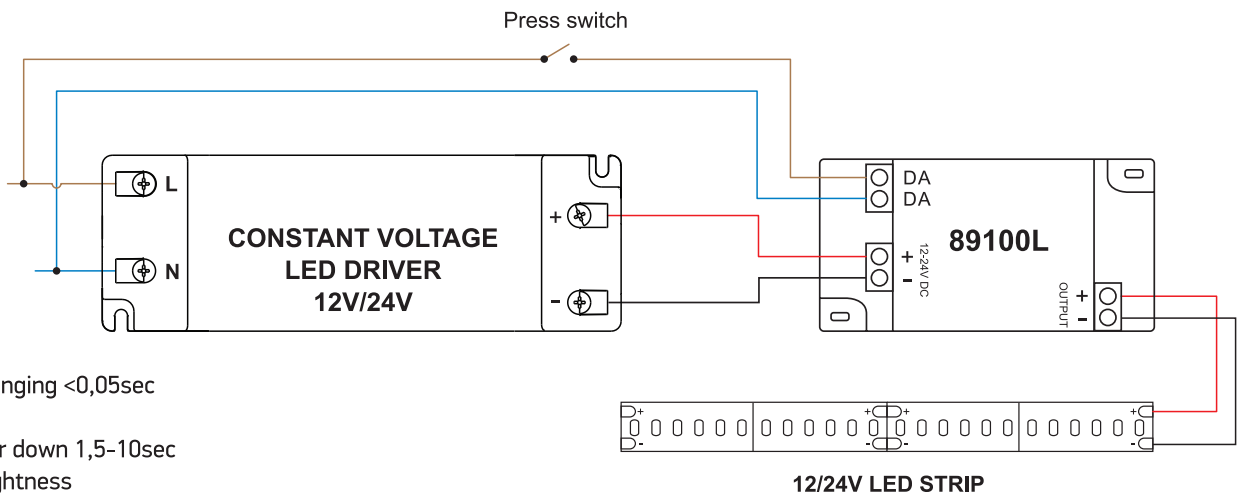
DALI wiring diagram



DALI

- DALI agreement includes 16 groups @ 64 addresses
- DALI agreement can be divided into 16 scenarios

Push to DIM wiring diagram



PUSH TO DIM

- No status changing <0,05sec
- Push ON/OFF
- Dimming up or down 1,5-10sec
- Set 100% brightness

Warnings:

1. Make sure that the product is installed properly before connecting to electricity.
2. Do not cover the fitting.
3. Maintenance and installation should only be carried out by a professional electrician.