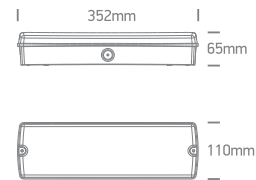


INSTALLATION MANUAL

89404A



230V | 4W | IP65 | PC | Emergency 3Hrs Maintained | Self-test

Supplied with 3 stickers

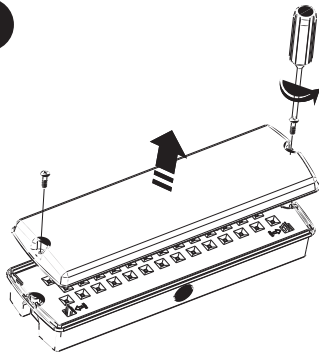


 Battery Li-FePo4 3.2V 1.5Ah

400lm
Mains

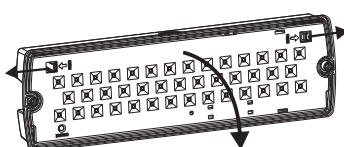
200lm
Emergency

A



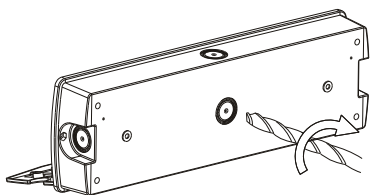
Twist off the two screws and open the diffuser.

B



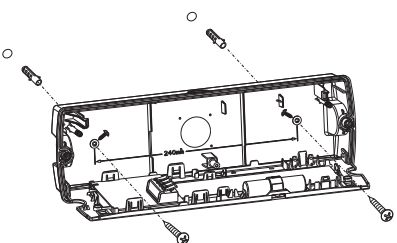
Pull open the fixing hooks to open the middle plate.

C



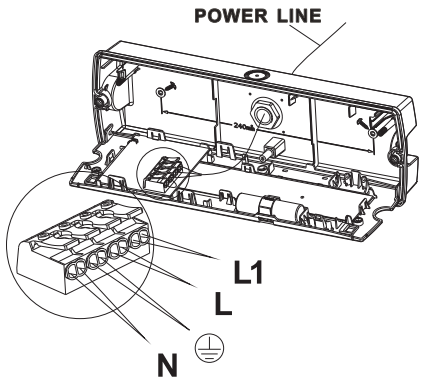
Use a tool to open the entry hole at the bottom of base.

D



Fix the fitting on the ceiling or wall.

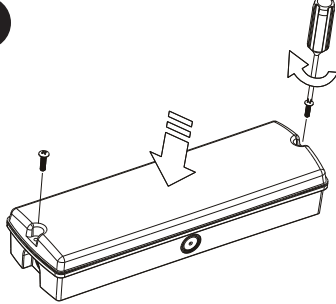
E



Connect the power line (ensure the power is off) and then insert the battery wires into the PCB.

When AC supply is connected, please check if the green LED indicator illuminates to confirm charging of batteries.

F



Close the diffuser and then tighten the screws. (Allow a short period for part charging of the batteries and then isolate the mains supply to the fitting in order to check the correct operation of the fitting in emergency mode.

Manual Test
Press the switch for 1s - The timer for the self-test will reset to zero.
Press the switch for 3s - The emergency light will be switched to self-test mode for continuous testing for 5 minutes and then return to normal operation.

Self-Test
The emergency fitting carries out self-tests automatically to ensure its functionality.
When the self-test begins, the light source will turn on, while the battery charging and green indicator LED will be cut-off. The red indicator LED will continue to flash rapidly (four times every second).
Monthly test - The self-test is carried out once a month, and normal operation is resumed after continuous testing for 10 minutes.
Yearly test - The self-test is carried out once a year, and normal operation is resumed after continuous testing for 3 hours.

Indicator LED
Charging - Continuous green indicator (no flashing).
Battery failure - The red indicator flashes once every 3 seconds.
Light source failure - The red indicator flashes twice every 3 seconds.
Less than the rated emergency time - The red indicator flashes 3 times every 3 seconds.

Warnings:

1. Make sure that the product is installed properly before connecting to electricity.
2. Do not cover the fitting.
3. Maintenance and installation should only be carried out by a professional electrician.