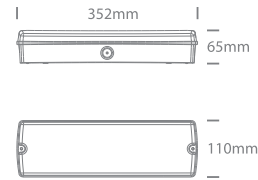


INSTALLATION MANUAL

89404



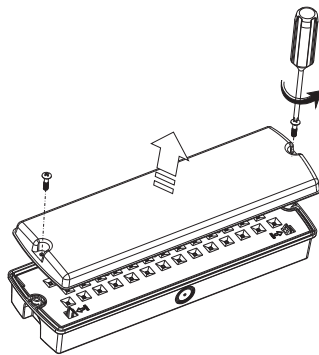
230V | 5W | IP65 | PC | 3Hrs Maintained

Supplied with 3 stickers

 Battery Li-FePo4 3.2V 1.5Ah	5W Charging	3.7W After full charge	400lm Mains	200lm Emergency
--	-----------------------	----------------------------------	-----------------------	---------------------------

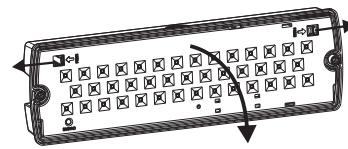


A



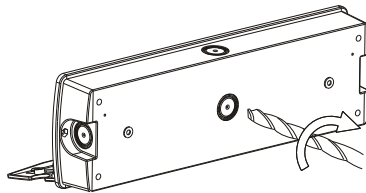
Twist off the two screws and open the diffuser.

B



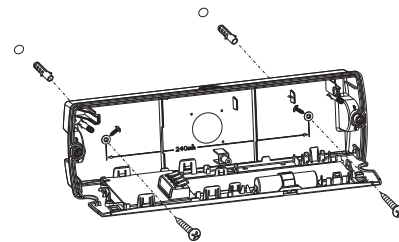
Pull open the fixing hooks to open the middle plate.

C



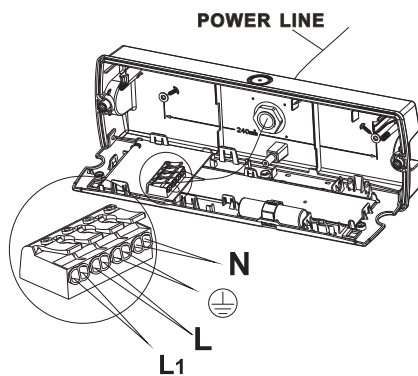
Use a tool to open the entry hole at the bottom of base.

D



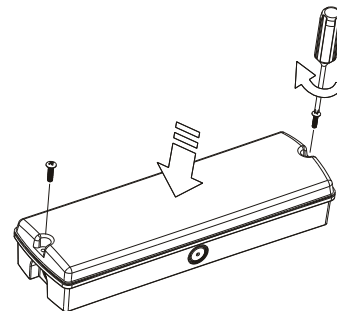
Fix the fitting on the ceiling or wall.

E



Connect the power line (ensure the power is off) and then insert the battery wires into the PCB. When AC supply is connected, please check if the green LED indicator illuminates to confirm charging of batteries.

F



Close the diffuser and then tighten the screws. (Allow a short period for part charging of the batteries and then isolate the mains supply to the fitting in order to check the correct operation of the fitting in emergency mode.

Warnings:

1. Make sure that the product is installed properly before connecting to electricity.
2. Do not cover the fitting.
3. Maintenance and installation should only be carried out by a professional electrician.