

one



one

Emergency Lights

Pages 727-736

22



Ceiling Emergency Point

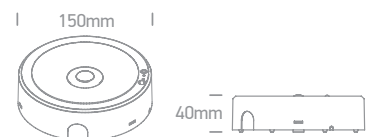


89412 | 3W | LED | Emergency 3Hrs Non-Maintained | Plastic

Self-test.



new
IP20



Order Code	Colour	Watts	Lumen (lm)	Beam Angle	Input	Class	Notes
89412/W	White	3W	300lm	155°	230V	20	Supplied with battery



Emergency LED Plafo



67366E/W/C

67366E | 12W | SMD 2835 | Emergency 3Hrs Maintained | PC



IP54



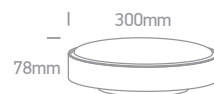
67366E/W/W



67280ANE | 15W | SMD 2835 | Emergency 3Hrs Maintained | Plastic



IP65



67282ANE | 16W | SMD 2835 | Emergency 3Hrs Maintained | Plastic



IP65



Order Code	Colour	Light Colour	CCT (K)	Watts	Lumen (lm)	Input	Class	Battery Duration	Notes
67366E/W/C	White	Cool white	4000K	12W	960lm	230V		3Hrs	20 Supplied with battery
67366E/W/W	White	Warm white	3000K	12W	960lm	230V		3Hrs	20 Supplied with battery
67280ANE/G/W	Grey	Warm white	3000K	15W	1000lm	230V		3Hrs	10 Supplied with battery
67282ANE/G/W	Grey	Warm white	3000K	16W	1280lm	230V		3Hrs	10 Supplied with battery



Emergency CCT V LED Plafo



67218E | 15W | SMD 2835 | Emergency 3Hrs Maintained | Plastic








IP65



Optional ring.
Order code 67218R/B Black.



Order Code	Colour	Light Colour	CCT (K)	Watts	Lumen (lm)	Input	Class	Battery Duration	Notes
67218E/W/V	White	CCT V	3000K-4000K-6500K	15W	1600lm	230V		3Hrs	6 Supplied with battery

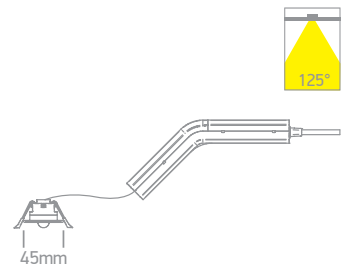
Emergency LED Recessed Spot



89002B | 1,5W | LED | Emergency 3Hrs Non-Maintained | Plastic

Self-test.

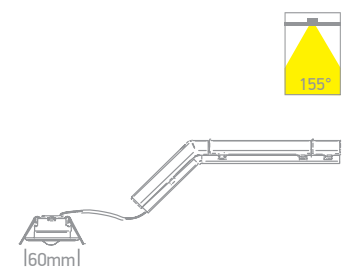
new
IP20



89002C | 3W | LED | Emergency 3Hrs Non-Maintained | Plastic

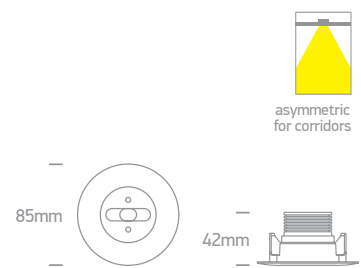
Self-test.

new
IP20



89002 | 3W | LED | Emergency 3Hrs Maintained | Recessed | Plastic + aluminium

IP20



Order Code	Colour	Light Colour	CCT (K)	Watts	Lumen (lm)	Beam Angle	Input	Class	Battery Duration	Light Diameter	Light Depth	Box Qty	Notes
89002B	White	Cool light	4000K	1,5W	150lm	125°	230V	□	3Hrs	35mm	120mm	20	Supplied with battery
89002C	White	Cool light	4000K	3W	300lm	155°	230V	□	3Hrs	45mm	130mm	20	Supplied with battery
89002	White	Daylight	6000K	3W	150lm	Asymmetric	230V	⊕	3Hrs	72mm	120mm	12	Supplied with battery



Emergency LED Wall & Ceiling Signs

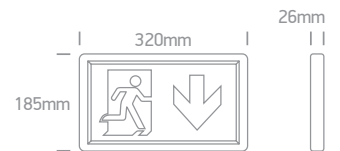


89408 | 3W | LED | Emergency 3Hrs Maintained | Auto monthly test | PC

Wall mounted.



Supplied with 2 stickers.



IP20



89410 | 1,8W | LED | Emergency 3Hrs Maintained | Auto monthly test | PC

Ceiling/Wall mounted.



Supplied with 4 stickers.



IP20



89406 | 1W | LED | Emergency 3Hrs Maintained

Ceiling/Wall mounted.



Supplied with 3 stickers.



IP44

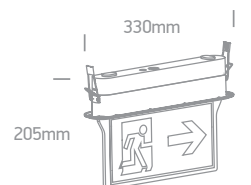


89406R | 1W | LED | Emergency 3Hrs Maintained | Recessed

Ceiling recessed.



Supplied with 3 stickers.



IP44

Order Code	Colour	Light Colour	CCT (K)	Watts	Lumen (lm)	Input	Class	Battery Type	Battery Duration	Lighting	Mounting	Pack	Notes
89408/W	White	Daylight	6000K	3W	55lm	230V	<input type="checkbox"/>	LifePO4 3,2V 1,5Ah	3Hrs	-	-	10	Supplied with battery
89410/W	White	Daylight	6000K	1,8W	40lm	230V	<input type="checkbox"/>	LifePO4 3,2V 1,5Ah	3Hrs	-	-	6	Supplied with battery
89406/W	White	Daylight	6000K	1W	50lm	230V	<input type="checkbox"/>	Ni-Cd 3,6V 1,5Ah	3Hrs	-	-	12	Supplied with battery
89406R/W	White	Daylight	6000K	1W	50lm	230V	<input type="checkbox"/>	Ni-Cd 3,6V 1,5Ah	3Hrs	300x45mm	120mm	16	Supplied with battery

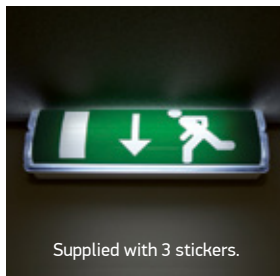
one



Emergency LED Wall & Ceiling

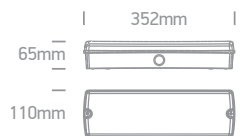


89404 | 5W | LED | Emergency 3Hrs Maintained | PC



Supplied with 3 stickers.

IP65



Order Code	Colour	Light Colour	CCT (K)	Watts	Input	Class	Battery Type	Battery Duration	Notes
89404	White	Daylight	6000K	5W	230V	⚡	Li-FePO4 3,2V 1,5Ah	3Hrs	Supplied with battery

Universal LED Emergency Kit

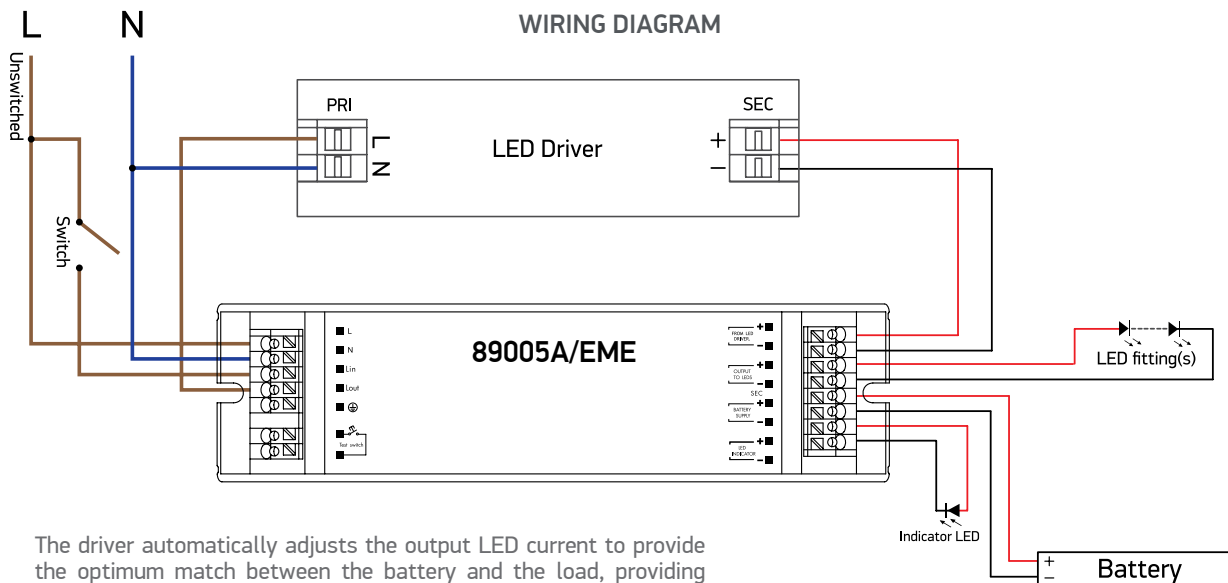


89005A/EME | 5-50W | Built-in Emergency kit for LED fittings | Emergency 3Hrs Maintained

Use inside fittings.



IP20



The driver automatically adjusts the output LED current to provide the optimum match between the battery and the load, providing maximum illumination whilst ensuring full battery duration.

Emergency mode light output compared with normal operation:

Luminaire Power	5W	7W	10W	12W	15W	20W	25W	30W	35W	40W	45W	50W
	60%	43%	30%	25%	20%	15%	12%	10%	9%	8%	7%	6%

Order Code	Input	Watts	Class	Battery Type	Charge Period	Battery Duration	Notes
89005A/EME	230V	5-50W	⊕	Ni-Cd 3,6V 4,0Ah	24Hrs	3Hrs	Supplied with battery



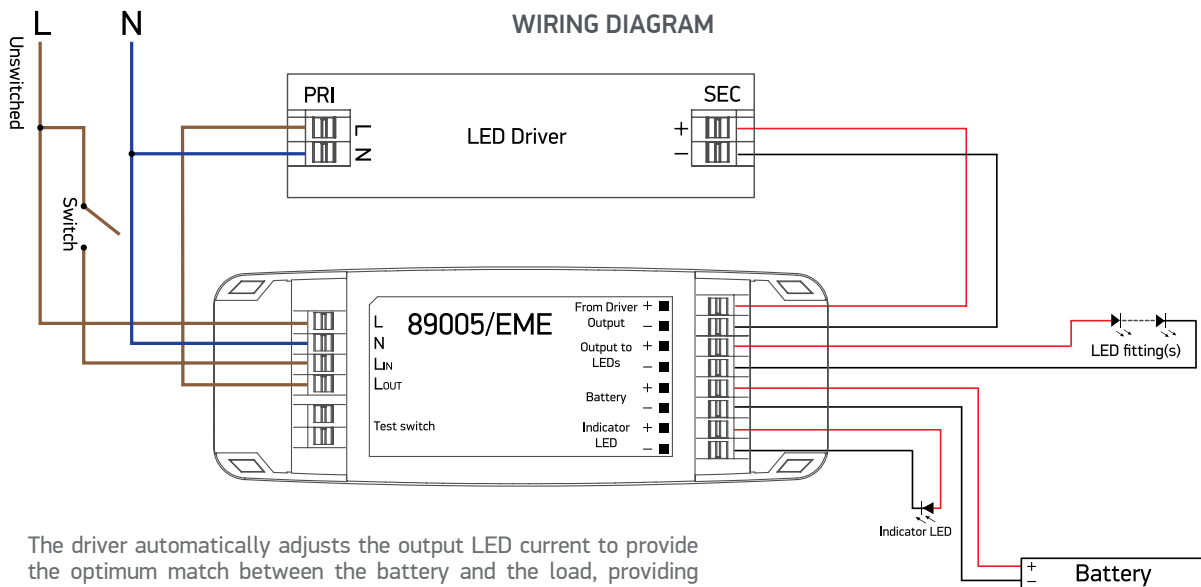
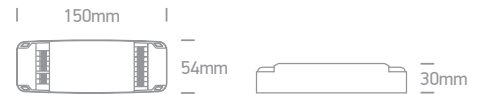
Universal LED Emergency Kit



89005/EME | 5-50W | Emergency kit for LED Downlights and LED strips | Emergency 3Hrs Maintained



IP20



The driver automatically adjusts the output LED current to provide the optimum match between the battery and the load, providing maximum illumination whilst ensuring full battery duration.

Emergency mode light output compared with normal operation:

Luminaire Power	5W	7W	10W	12W	15W	20W	25W	30W	35W	40W	45W	50W
	60%	43%	30%	25%	20%	15%	12%	10%	9%	8%	7%	6%

Order Code	Input	Watts	Class	Battery Type	Charge Period	Battery Duration	Notes
89005/EME	230V	5-50W		Ni-Mh 3,6V 4,0Ah	24Hrs	3Hrs	Supplied with battery

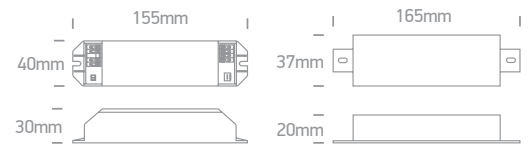


GU10/E27 LED Emergency Kit



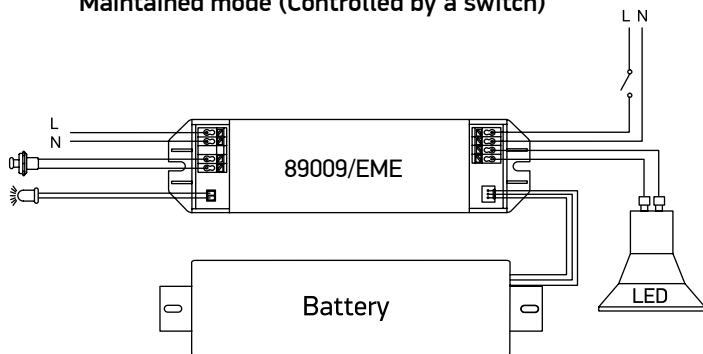
89009/EME | 3-7W | Emergency kit for GU10/E27 LED | Emergency 3Hrs Maintained

Suitable for 7306CG lamp.

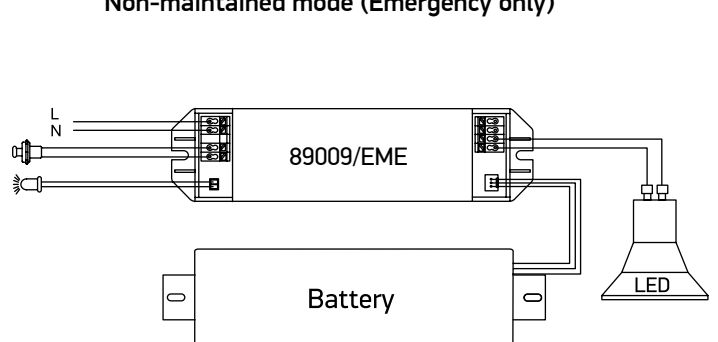


WIRING DIAGRAM

Maintained mode (Controlled by a switch)



Non-maintained mode (Emergency only)



* This kit will only operate with GU10 & E27 LED lamps suitable for 180V DC power supply. Most of the lamps in the market today are compatible however we recommend to test suitability before purchasing the lamps. Suitable for 7306CG lamp.

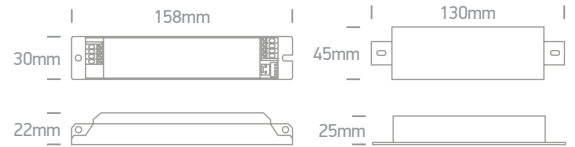
Order Code	Input	Watts	Class	Battery Type	Charge Period	Battery Duration	Notes
89009/EME	230V	3-7W		Ni-Cd 6,4V 3,0Ah	Max. 24Hrs	3Hrs	Supplied with battery

MR16 LED Emergency Kit

89002A | 3W | Emergency kit with MR16 LED module | Emergency 3Hrs Maintained

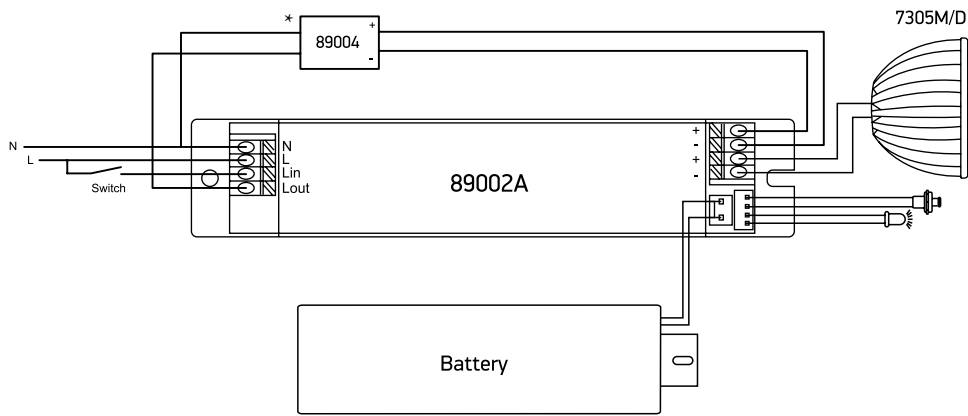


IP20

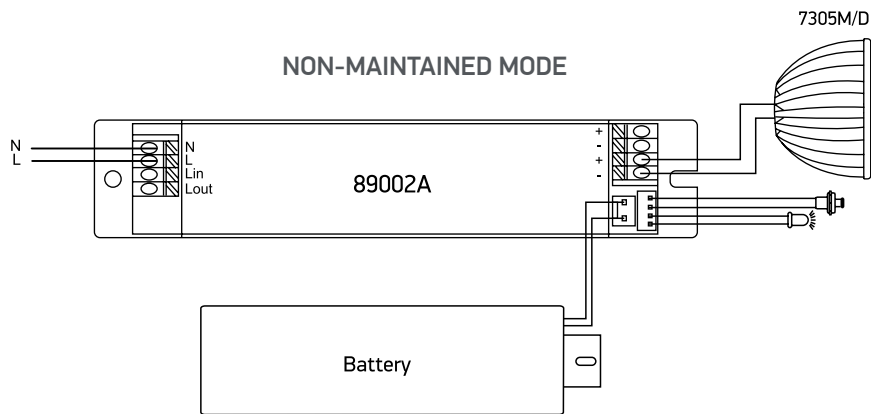


MAINTAINED MODE

* Driver 89004 must be ordered separately



NON-MAINTAINED MODE



Order Code	Light Colour	CCT (K)	Watts	Input	Battery Type	Charge Period	Battery Duration		Notes
89002A	Daylight	6000K	3W	230V	Ni-Cd 4,8V 2,0Ah	24Hrs	3Hrs	24	Supplied with battery & MR16 LED module 7305M/D