

22 Emergency Lights > MR16 LED Emergency Kit

89002A



3W Emergency LED recessed , IP20, ideal for corridors . It can be used maintained or non-maintained mode.

For maintained mode requires 89004 driver

Supplier with battery & MR16 LED module 7305M/D.

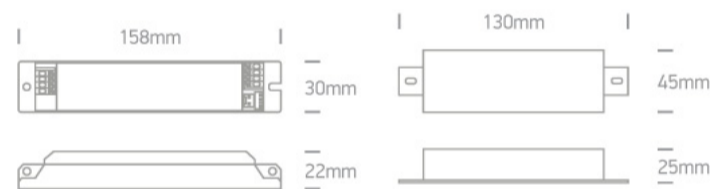
Complies with standard EN60598-1 and any other specific standards.



Downloads



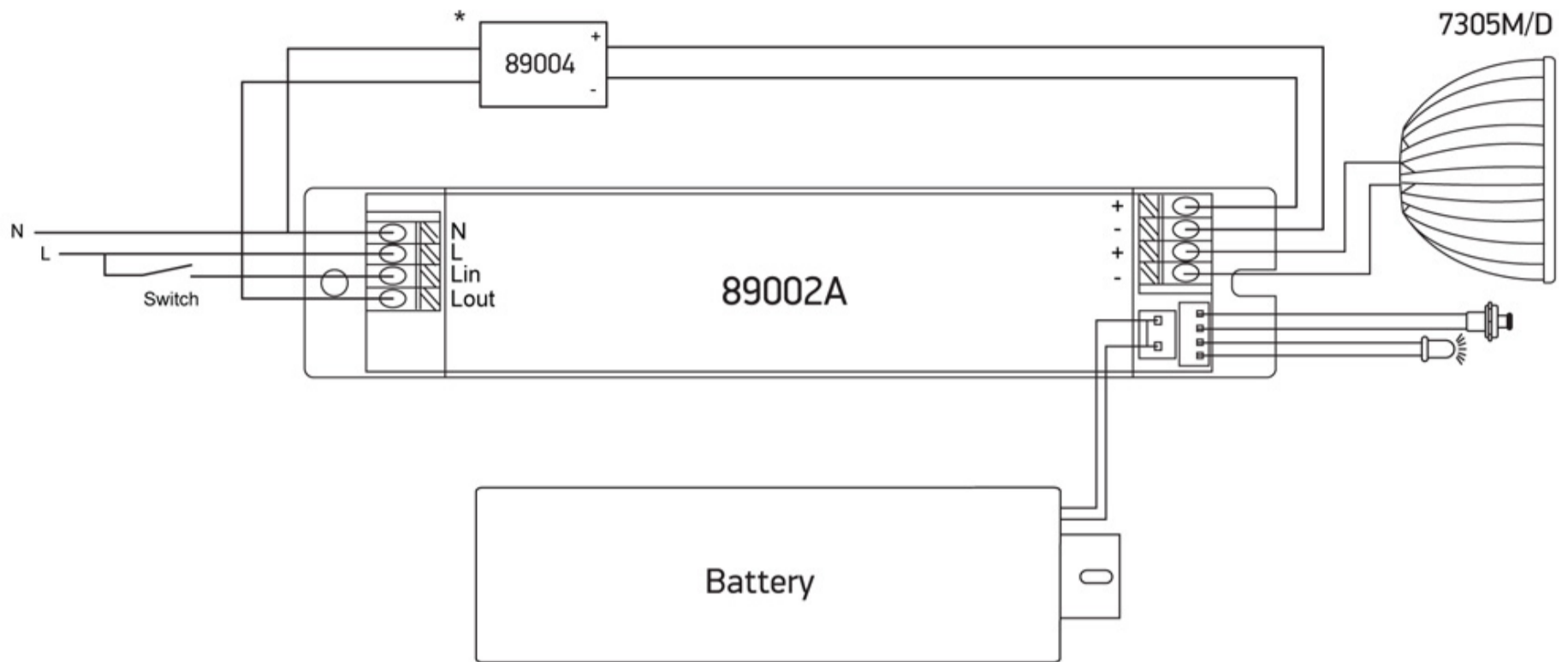
Dimensions



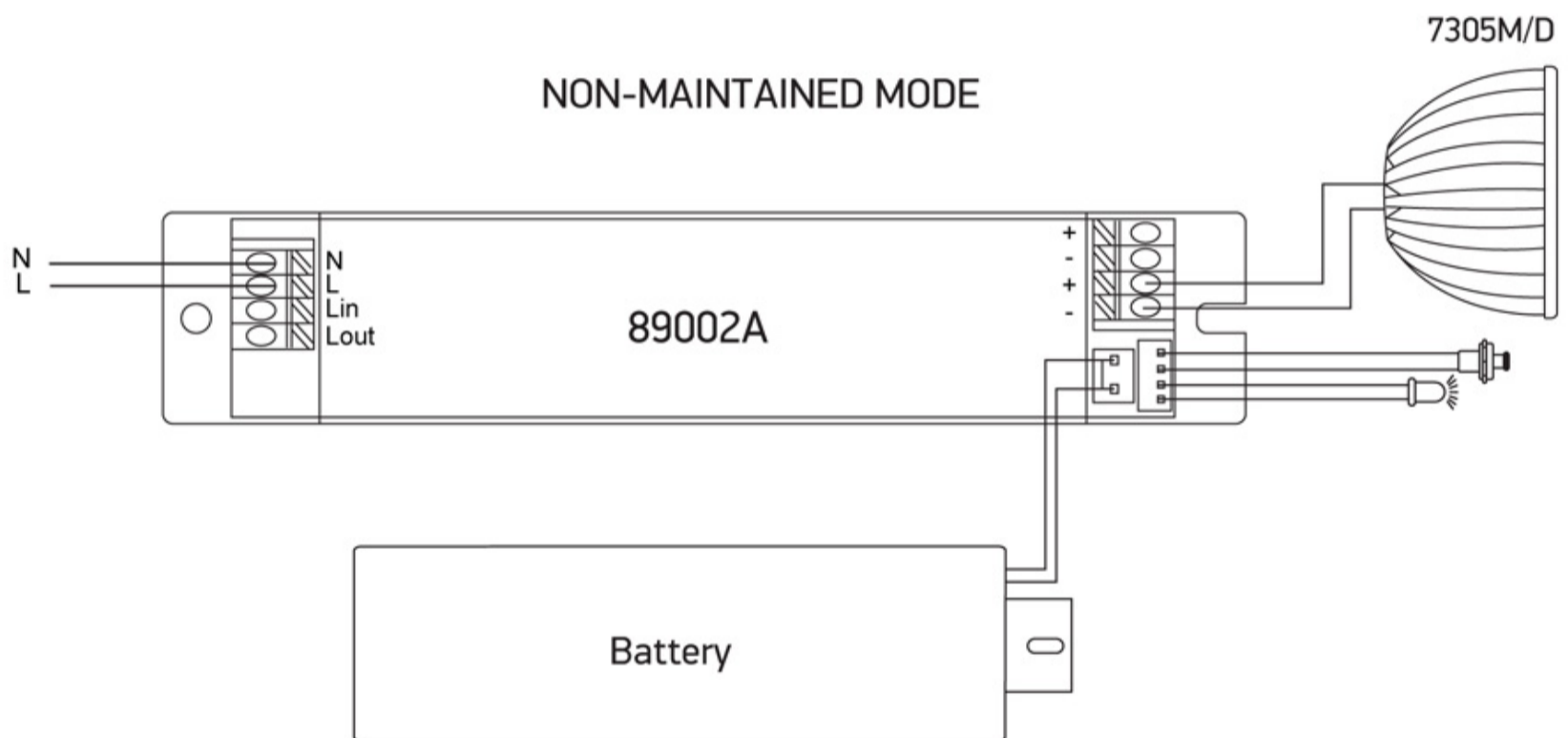
Wiring Diagram

MAINTAINED MODE

* Driver 89004 must be ordered separately



NON-MAINTAINED MODE



Physical Specification

Item Group	22 Emergency Lights
Family	MR16 LED Emergency Kit
Order Code	89002A
Material	Aluminium + Plastic
Shape	Rectangular
Recessed Ceiling	Yes
Indoor	Yes

Adjustable

No

Electrical Characteristics

Gear

External-Included

Fitting + Driver

Input Voltage

220-240V

50 Hz

Yes

60 Hz

Yes

Power(Watts)

3W

IP Rating

IP20

Light Source

LED built in

Dimmable

No

F Mark



Fitting

Input Type

Constant Current

Input Current

350mA

Safety Class



Power(Watts)

3W

IP Rating

IP20

Light Source

LED built in

F Mark



Gear

Gear Type

Emergency Kit

Input Voltage

220-240V

50 Hz

Yes

60 Hz

Yes

IP Rating

IP20

Dimmable

No

Housing Material
Output Terminal
Battery Capacity
Battery Voltage
Operation Time
Charging Time
Maintained
Non Maintained

Metal
Connector
2Ah
4,8V
3 hours
24 hours
Yes
Yes

Illumination Data

Colour Temperature
Illumination Diagram

6000K


Packing Info

Box Weight
Pcs/Carton
Barcode
HS Code

0.383kg
24
5291889066446
8504408290

Certification & Warranty

Warranty
Weee Directive

2 Years
Yes

switch to
one light!

one
LIGHT

