

23 LED Drivers > Universal DALI Dimmable Range DALI & Push to DIM

## 89025L



DALI & Push to DIM LED driver Adjustable output using DIP switches.

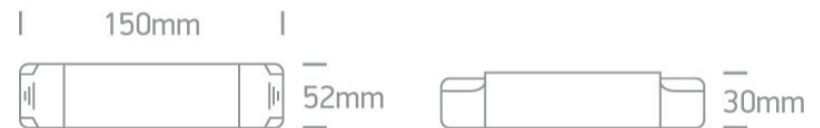
Complies with standard EN61347-1 and any other specific standards.



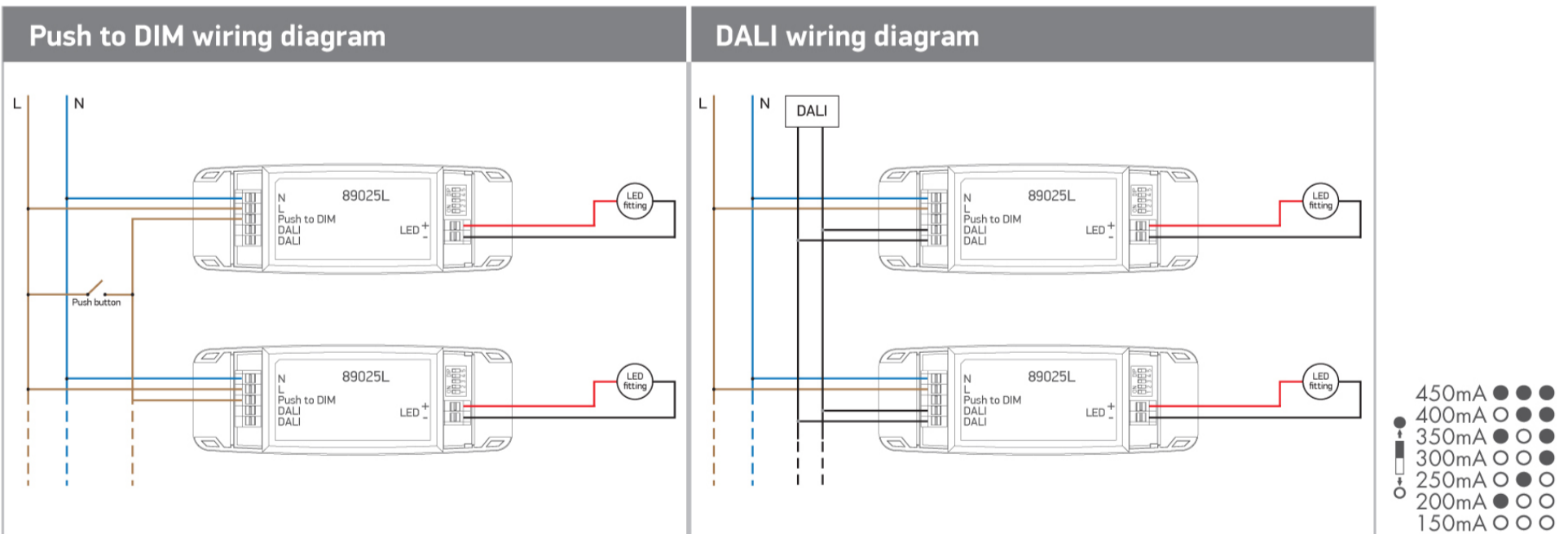
Downloads



Dimensions



Wiring Diagram



Physical Specification

Item Group

23 LED Drivers

Family

Universal DALI Dimmable Range DALI & Push to DIM

Order Code

89025L


Material

Plastic

Shape	Rectangular
Length	150mm
Width	52mm
Height	30mm
Indoor	Yes

## Electrical Characteristics

### Gear

Gear Type	Led Driver
Input Voltage	220-240V
50 Hz	Yes
60 Hz	Yes
Power(Watts)	Refer to table
Power Factor	0.93
Constant Current	Yes
150mA	6-56V
200mA	6-56V
250mA	6-56V
300mA	6-56V
350mA	6-56V
400mA	6-56V
450mA	6-56V
IP Rating	IP20
Safety Class	
Dimmable	Yes
Dimmer type	Dali, Push to Dim
Ambient Temp	-20~+45°C
Operating Temp	75°C
Housing Material	Plastic
Output Terminal	Cable

Brand

One Light Ltd

Protection

Short Circuit / Overload / Overheat Protection

### Packing Info

Box Length

16cm

Box Width

5,5cm

Box Height

3,5cm

Box Weight

0.2Kg

Pcs/Carton

40

Barcode

5291889057598

HS Code

8504408290

### Certification & Warranty

Warranty

5 Years

Weee Directive

Yes

switch to  
**one light!**

one  
LIGHT

