

23 Drivers>The 24V DC DALI Dimmable Range Constant voltage

## 89075L



75W 24V DC, DALI, 1-10V & Push to Dim dimmable constant voltage driver, IP20.

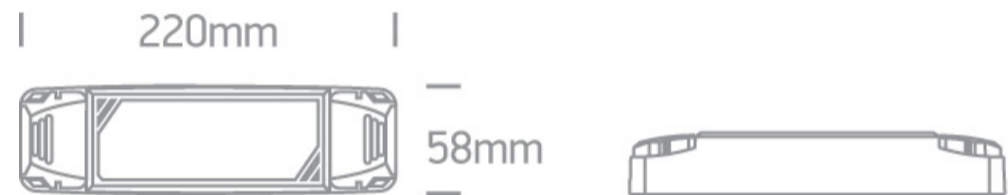
Complies with standard EN61347-1 and any other specific standards.



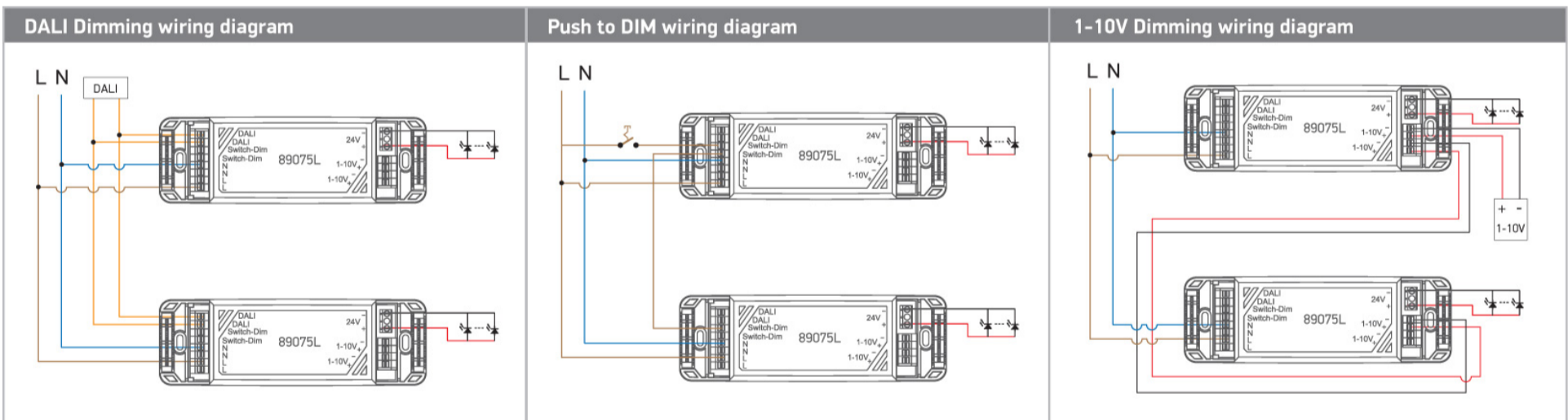
### Downloads



### Dimensions



### Wiring Diagram




### Physical Specification

Item Group	23 Drivers
Family	The 24V DC DALI Dimmable Range Constant voltage
Order Code	89075L
Material	Plastic
Shape	Rectangular
Length	220mm

Width	58mm
Height	42mm
Indoor	Yes

## Electrical Characteristics

### Gear

Gear Type	Led Driver
Input Voltage	220-240V
50 Hz	Yes
60 Hz	Yes
Power(Watts)	75W
Power Factor	0,95
Constant Voltage	Yes
24 V	Yes
IP Rating	IP20
Safety Class	
Dimmable	Yes
Dimmer type	Dali, Push to Dim, 1-10V
Ambient Temp	-20°C~45°C
Operating Temp	85°C
Housing Material	Plastic
Output Terminal	Connector
Brand	One Light Ltd
Protection	Short Circuit / Overload / Overheat Protection

## Packing Info

Box Length	22,5cm
Box Width	6,5cm
Box Height	5cm

Box Weight	0.655kg
Pcs/Carton	18
Barcode	5291889053507
HS Code	8504408390

#### Certification & Warranty

Warranty	5 years
----------	---------

switch to  
**one light!**

one  
LIGHT

